

FDT/403S

FM STARPOINT COMBINER

FEATURES

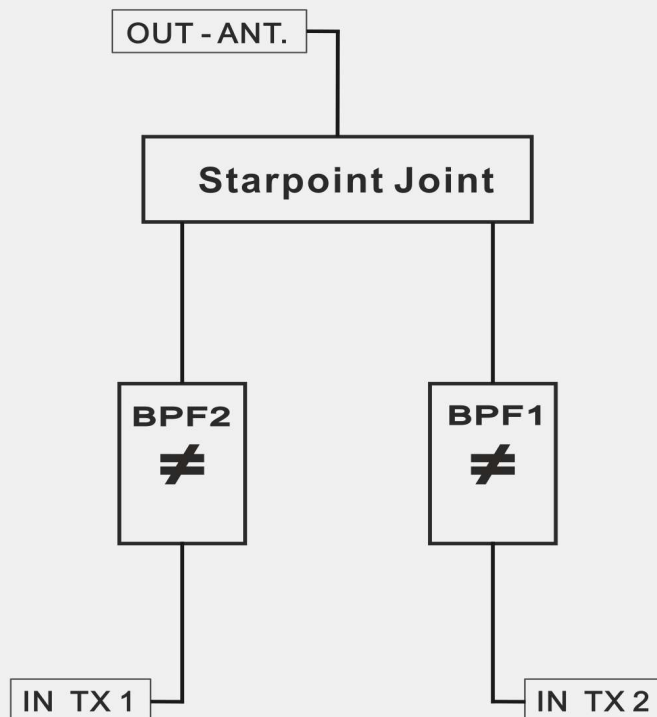
- FM STARPOINT 2 CH COMBINER
- RACK VERSION, 19" 9U
- TRIPLE CAVITY FILTERS
- CONNECTORS IN **N**
- CONNECTOR OUT **N**



TECHNICAL DATA

Frequency Range	87.5 - 108Mhz
In and Out Impedance	50ohm
Return Loss	≥ 26dB
Attenuation	≤ 0.7dB
Input Power *	200+200W
Isolation	≥ 30dB
Min, Channels spacing	≥ 1.5Mhz
Working Temperature	-10 to 45°C
External Dimensions	49x80x39cm
Weight	36Kg

* at max eight above sea level of 1500mt



FDT/2000S

FM STARPOINT COMBINER

FEATURES

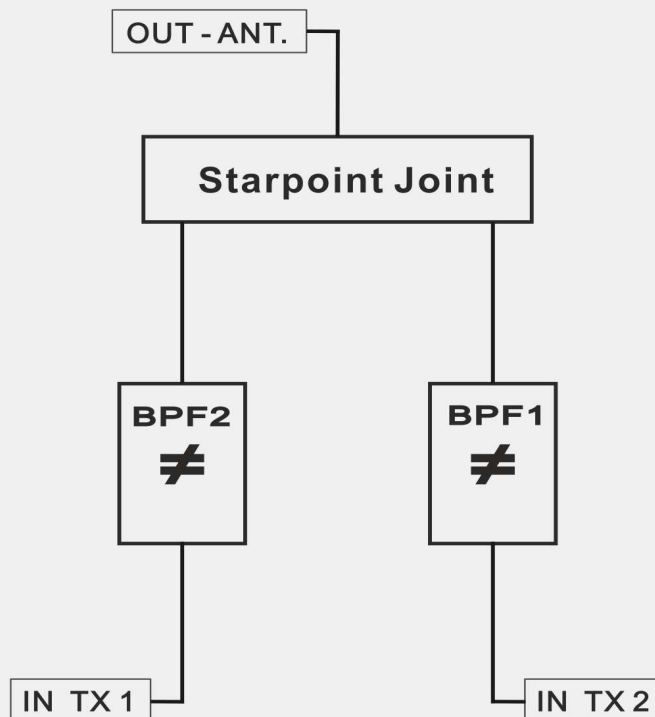
- FM STARPOINT 2 CH COMBINER
- TRIPLE CAVITY FILTERS
- CONNECTORS IN **N**
- CONNECTOR OUT **7/16**



TECHNICAL DATA

Frequency Range	87.5 - 108Mhz
In and Out Impedance	50ohm
Return Loss	≥ 26dB
Attenuation	≤ 0.6dB
Input Power *	800+800W
Isolation	≥ 30dB
Min, Channels spacing	≥ 1.5Mhz
Working Temperature	-10 to 45°C
External Dimensions	41x40x130cm
Weight	32Kg

* at max eight above sea level of 1500mt



FDT/2000S-H

FM STARPOINT COMBINER

FEATURES

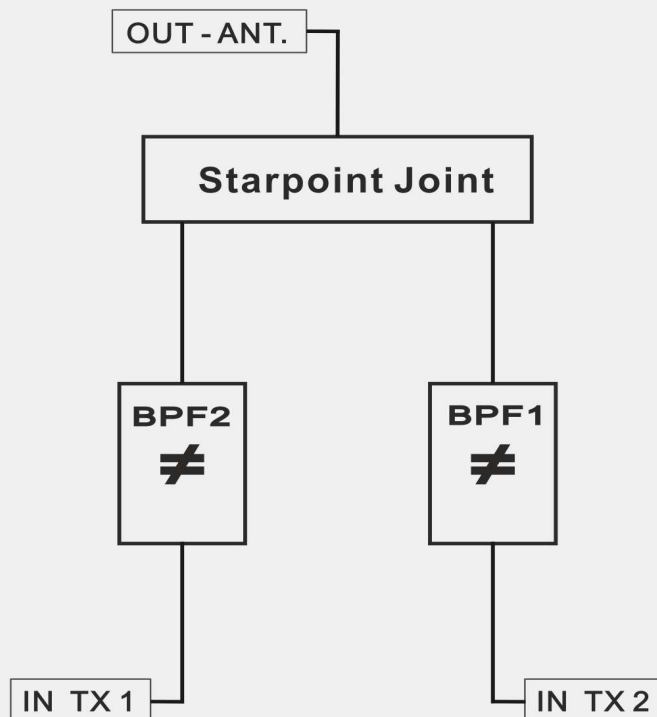
- FM STARPOINT 2 CH COMBINER
- TRIPLE CAVITY FILTERS
- CONNECTORS IN **7/16**
- CONNECTOR OUT **7/8**



TECHNICAL DATA

Frequency Range	87.5 - 108Mhz
In and Out Impedance	50ohm
Return Loss	≥ 26dB
Attenuation	≤ 0.6dB
Input Power *	1.2+1.2KW
Isolation	≥ 30dB
Min, Channels spacing	≥ 1.5Mhz
Working Temperature	-10 to 45°C
External Dimensions	41x40x130cm
Weight	34Kg

* at max eight above sea level of 1500mt



FTT/3000S

FM STARPOINT COMBINER

FEATURES

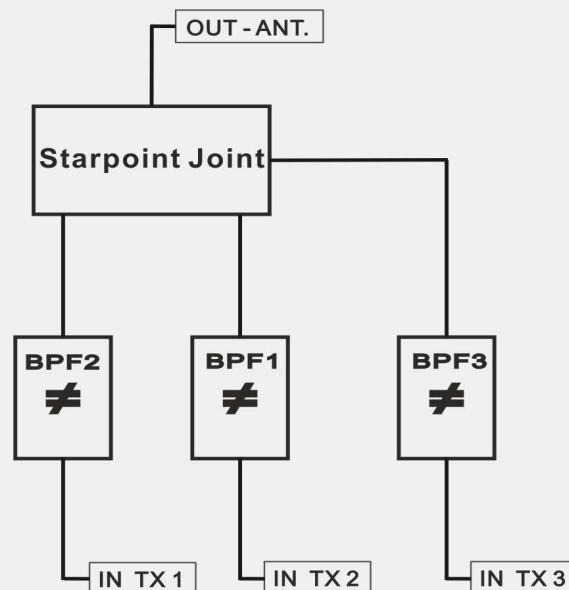
- FM STARPOINT 3 CH COMBINER
- TRIPLE CAVITY FILTERS
- CONNECTORS IN **N**
- CONNECTOR OUT **7/16**



TECHNICAL DATA

Frequency Range	87.5 - 108Mhz
In and Out Impedance	50ohm
Return Loss	≥ 26 dB
Attenuation	≤ 0.6 dB
Input Power *	3x500W
Isolation	≥ 30 dB
Min, Channels spacing	≥ 1.5 Mhz
Working Temperature	-10 to 45°C
External Dimensions	62x40x130cm
Weight	48Kg

* at max eight above sea level of 1500mt



FDT/4000S

FM STARPOINT COMBINER

FEATURES

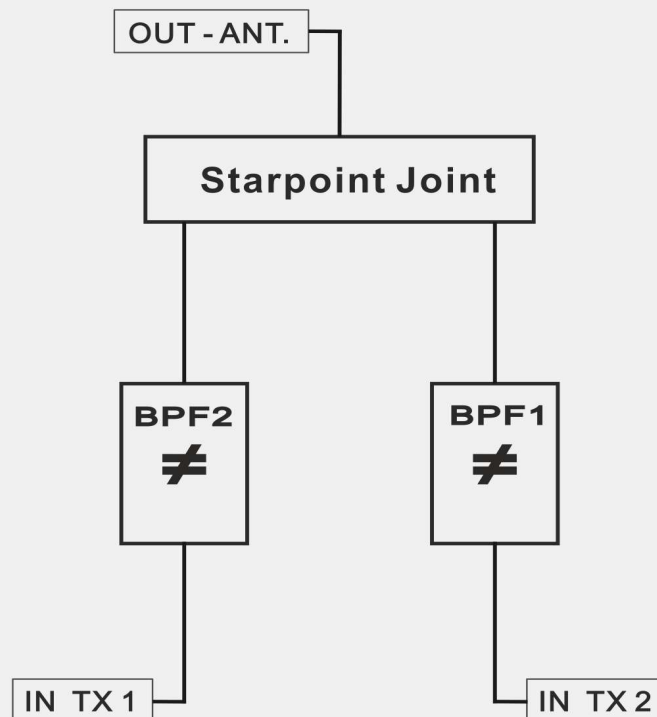
- FM STARPOINT 2 CH COMBINER
- TRIPLE CAVITY FILTERS
- CONNECTORS IN **7/16**
- CONNECTOR OUT **7/8**



TECHNICAL DATA

Frequency Range	87.5 - 108Mhz
In and Out Impedance	50ohm
Return Loss	≥ 26dB
Attenuation	≤ 0.5dB
Input Power *	2+2KW
Isolation	≥ 30dB
Min, Channels spacing	≥ 1.5Mhz
Working Temperature	-10 to 45°C
External Dimensions	41x60x130cm
Weight	58Kg

* at max eight above sea level of 1500mt



FDT/6000S

FM STARPOINT COMBINER

FEATURES

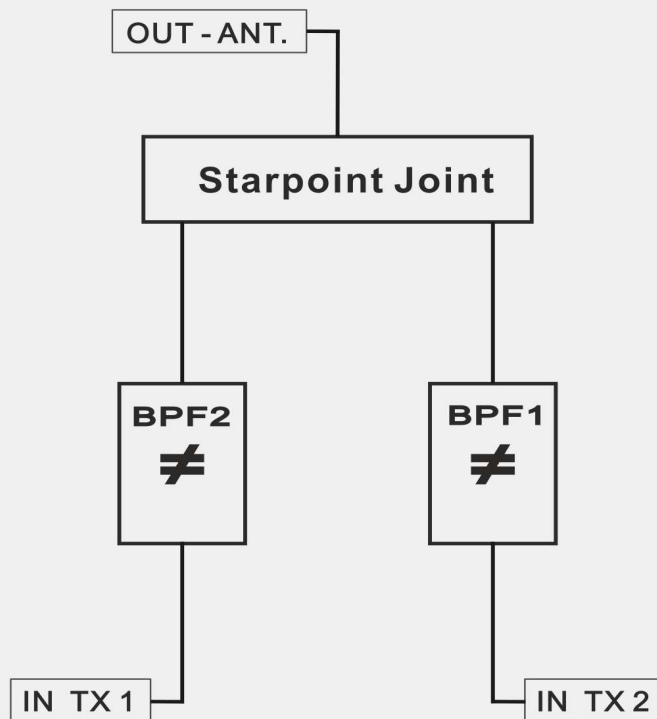
- FM STARPOINT 2 CH COMBINER
- TRIPLE CAVITY FILTERS
- CONNECTORS IN **7/8**
- CONNECTOR OUT **1+5/8**



TECHNICAL DATA

Frequency Range	87.5 - 108Mhz
In and Out Impedance	50ohm
Return Loss	≥ 26dB
Attenuation	≤ 0.5dB
Input Power *	3+3KW
Isolation	≥ 30dB
Min, Channels spacing	≥ 1.5Mhz
Working Temperature	-10 to 45°C
External Dimensions	41x60x130cm
Weight	60Kg

* at max eight above sea level of 1500mt



FDT/10000S

FM STARPOINT COMBINER

FEATURES

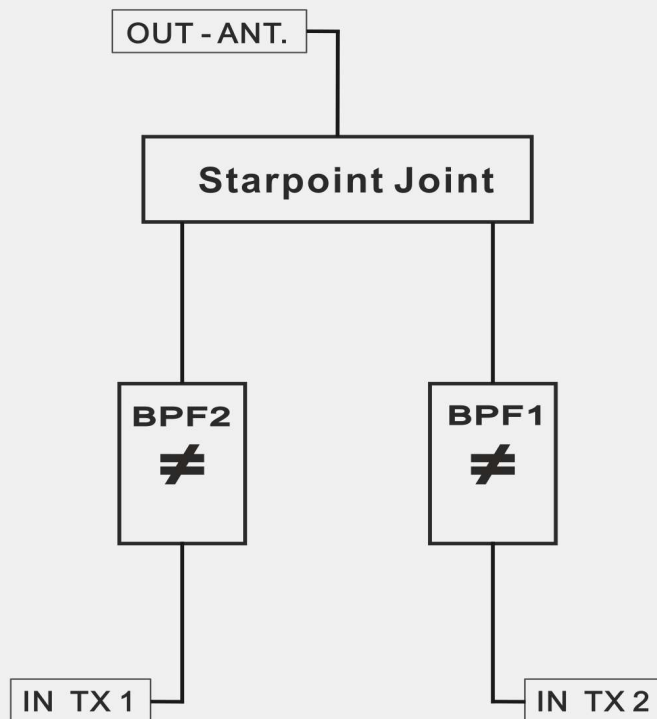
- FM STARPOINT 2 CH COMBINER
- TRIPLE CAVITY FILTERS
- CONNECTORS IN **7/8**
- CONNECTOR OUT **1+5/8**



TECHNICAL DATA

Frequency Range	87.5 - 108Mhz
In and Out Impedance	50ohm
Return Loss	≥ 26dB
Attenuation	≤ 0.4dB
Input Power *	5+5KW
Isolation	≥ 30dB
Min, Channels spacing	≥ 1.5Mhz
Working Temperature	-10 to 45°C
External Dimensions	73x70x130cm
Weight	90Kg

* at max eight above sea level of 1500mt

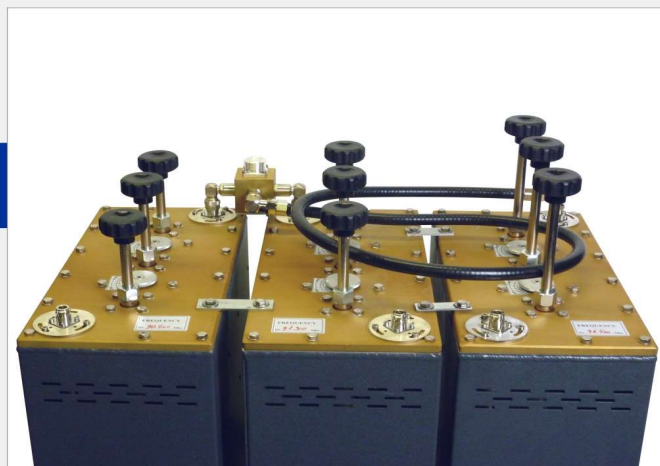


FTT/3000S-H

FM STARPOINT COMBINER

FEATURES

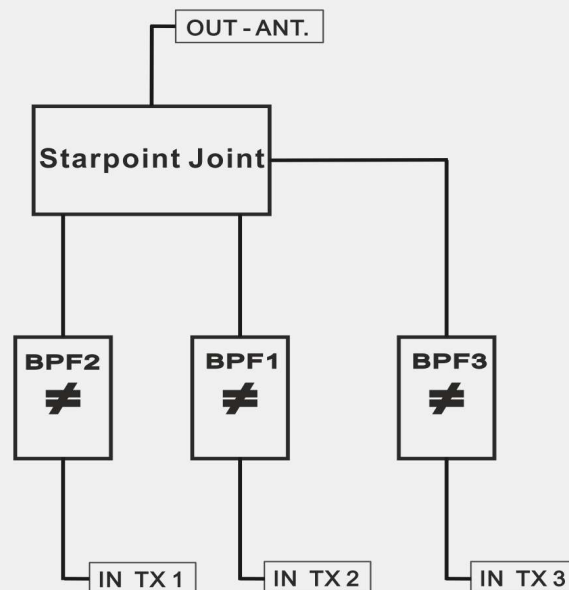
- FM STARPOINT 3 CH COMBINER
- TRIPLE CAVITY FILTERS
- CONNECTORS IN **7/16**
- CONNECTOR OUT **7/8**



TECHNICAL DATA

Frequency Range	87.5 - 108Mhz
In and Out Impedance	50ohm
Return Loss	≥ 26 dB
Attenuation	≤ 0.6 dB
Input Power *	3x1KW
Isolation	≥ 30 dB
Min, Channels spacing	≥ 1.5 Mhz
Working Temperature	-10 to 45°C
External Dimensions	62x40x130cm
Weight	48Kg

* at max eight above sea level of 1500mt

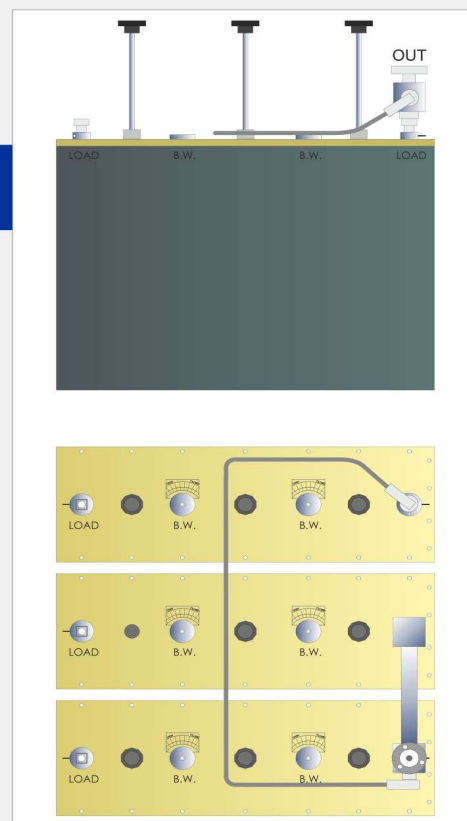


FTT/4500S

FM STARPOINT COMBINER

FEATURES

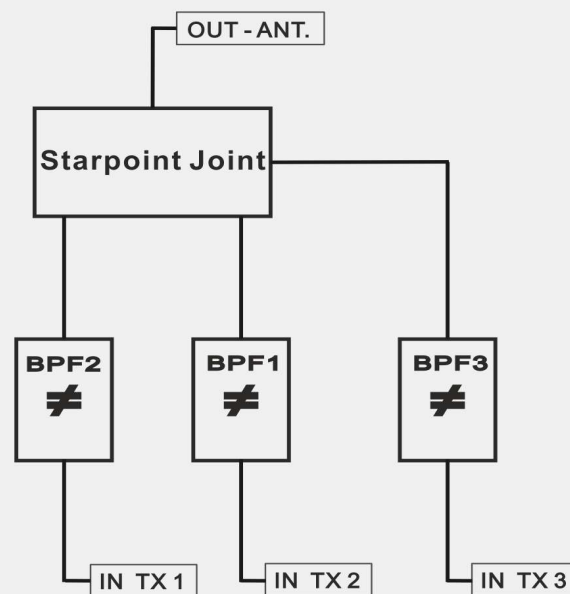
- FM STARPOINT 3 CH COMBINER
- TRIPLE CAVITY FILTERS
- CONNECTORS IN **7/16**
- CONNECTOR OUT **1+5/8**



TECHNICAL DATA

Frequency Range	87.5 - 108Mhz
In and Out Impedance	50ohm
Return Loss	≥ 26dB
Attenuation	≤ 0.5dB
Input Power *	3x1.5KW
Isolation	≥ 30dB
Min, Channels spacing	≥ 1.5Mhz
Working Temperature	-10 to 45°C
External Dimensions	62x60x130cm
Weight	82Kg

* at max eight above sea level of 1500mt

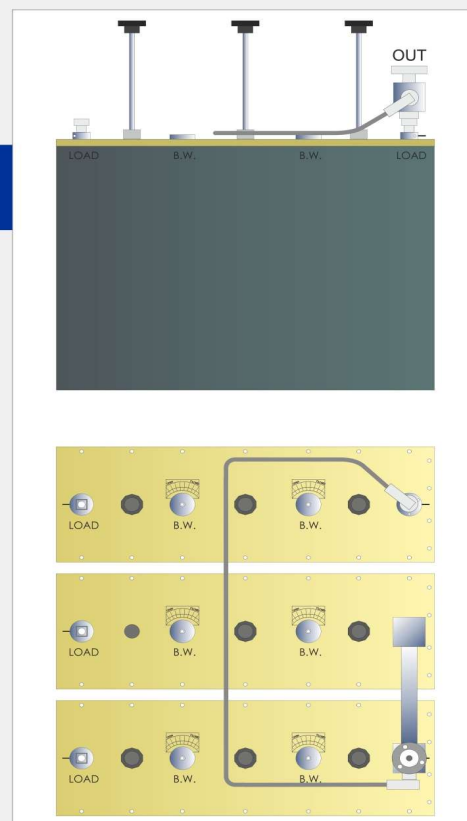


FTT/6000S

FM STARPOINT COMBINER

FEATURES

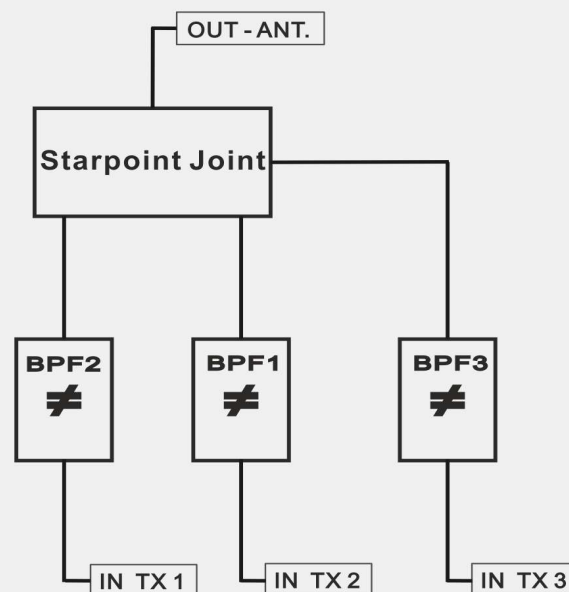
- FM STARPOINT 3 CH COMBINER
- TRIPLE CAVITY FILTERS
- CONNECTORS IN **7/16**
- CONNECTOR OUT **1+5/8**



TECHNICAL DATA

Frequency Range	87.5 - 108Mhz
In and Out Impedance	50ohm
Return Loss	≥ 26dB
Attenuation	≤ 0.5dB
Input Power *	3x2KW
Isolation	≥ 30dB
Min, Channels spacing	≥ 1.5Mhz
Working Temperature	-10 to 45°C
External Dimensions	62x60x130cm
Weight	84Kg

* at max eight above sea level of 1500mt



FTT/7500S

FM STARPOINT COMBINER

FEATURES

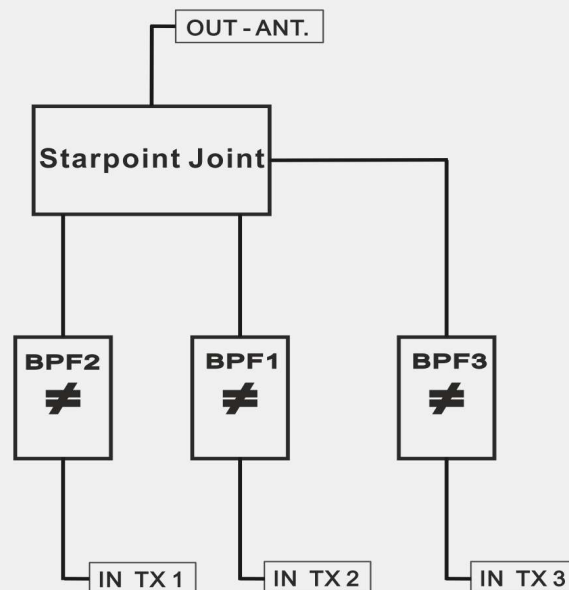
- FM STARPOINT 3 CH COMBINER
- TRIPLE CAVITY FILTERS
- CONNECTORS IN **7/8**
- CONNECTOR OUT **1+5/8**



TECHNICAL DATA

Frequency Range	87.5 - 108Mhz
In and Out Impedance	50ohm
Return Loss	≥ 26dB
Attenuation	≤ 0.5dB
Input Power *	3x2.5KW
Isolation	≥ 30dB
Min, Channels spacing	≥ 1.5Mhz
Working Temperature	-10 to 45°C
External Dimensions	62x60x130cm
Weight	84Kg

* at max eight above sea level of 1500mt



FQT/4000S

FM STARPOINT COMBINER

FEATURES

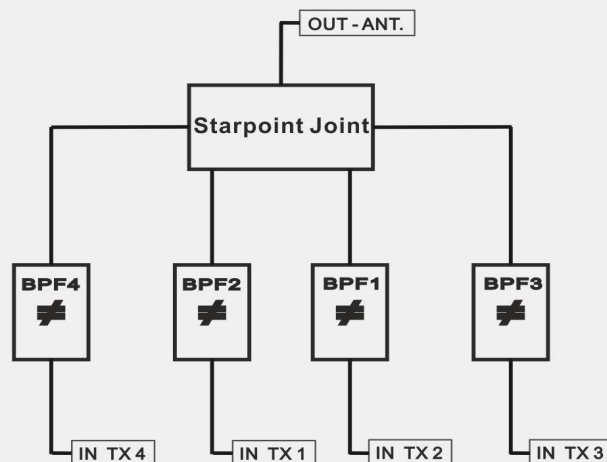
- FM STARPOINT 4 CH COMBINER
- TRIPLE CAVITY FILTERS
- CONNECTORS IN **N**
- CONNECTOR OUT **7/8**



TECHNICAL DATA

Frequency Range	87.5 - 108Mhz
In and Out Impedance	50ohm
Return Loss	≥ 26dB
Attenuation	≤ 0.5dB
Input Power *	4x500W
Isolation	≥ 30dB
Min, Channels spacing	≥ 2.5Mhz
Working Temperature	-10 to 45°C
External Dimensions	65x45x115cm
Weight	51Kg

* at max eight above sea level of 1500mt



FQT/4000S-H

FM STARPOINT COMBINER

FEATURES

- FM STARPOINT 4 CH COMBINER
- TRIPLE CAVITY FILTERS
- CONNECTORS IN 7/16
- CONNECTOR OUT 1+5/8



TECHNICAL DATA

Frequency Range	87.5 - 108Mhz
In and Out Impedance	50ohm
Return Loss	≥ 26dB
Attenuation	≤ 0.6dB
Input Power *	4x1KW
Isolation	≥ 30dB
Min, Channels spacing	≥ 1.5Mhz
Working Temperature	-10 to 45°C
External Dimensions	65x45x115cm
Weight	51Kg

* at max eight above sea level of 1500mt

