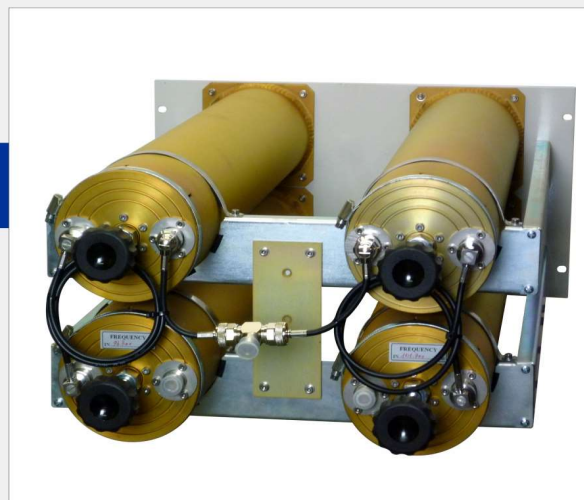


FDB/402S

FM STARPOINT COMBINER

FEATURES

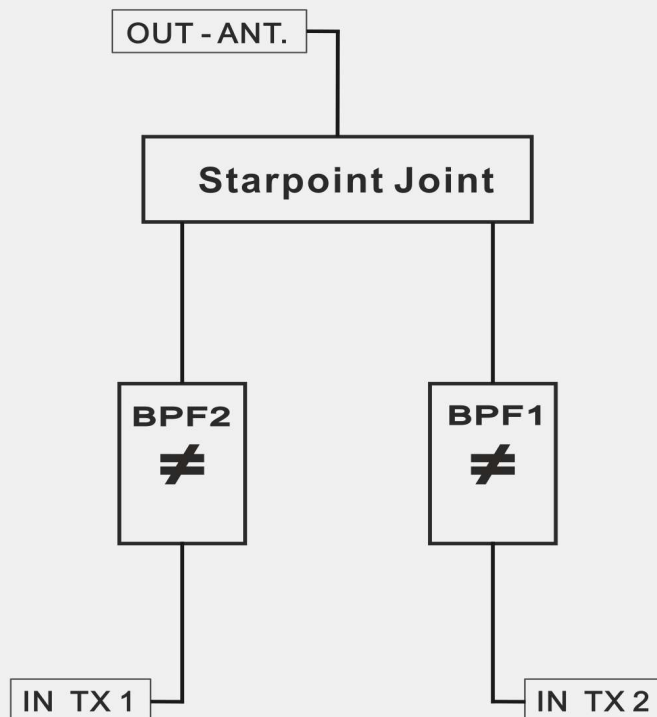
- FM STARPOINT 2 CH COMBINER
- RACK VERSION, 19" 6U
- DOUBLE CAVITY FILTERS
- CONNECTORS IN **N**
- CONNECTOR OUT **N**



TECHNICAL DATA

Frequency Range	87.5 - 108Mhz
In and Out Impedance	50ohm
Return Loss	≥ 26dB
Attenuation	≤ 0.5dB
Input Power *	200+200W
Isolation	≥ 30dB
Min, Channels spacing	≥ 2.5Mhz
Working Temperature	-10 to 45°C
External Dimensions	49x80x26cm
Weight	24Kg

* at max eight above sea level of 1500mt



FDB/602S

FM STARPOINT COMBINER

FEATURES

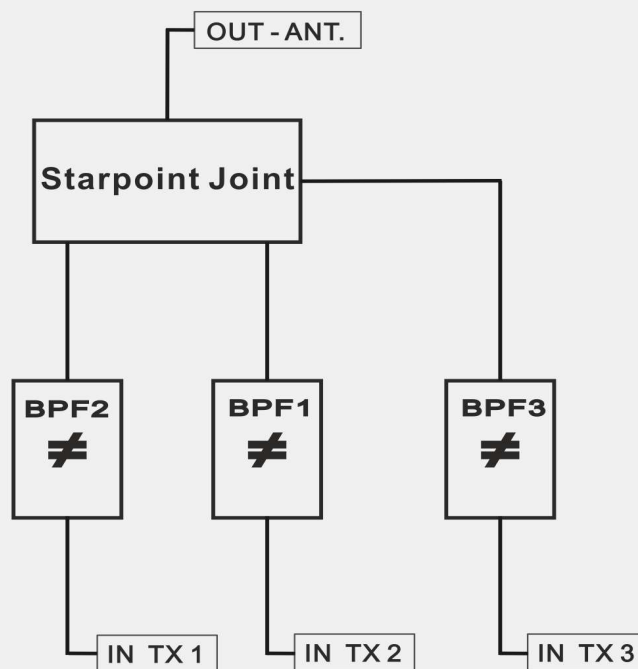
- FM STARPOINT 3 CH COMBINER
- RACK VERSION, 19" 9U
- DOUBLE CAVITY FILTERS
- CONNECTORS IN **N**
- CONNECTOR OUT **N**



TECHNICAL DATA

Frequency Range	87.5 - 108Mhz
In and Out Impedance	50ohm
Return Loss	≥ 26dB
Attenuation	≤ 0.6dB
Input Power *	3x150W
Isolation	≥ 30dB
Min, Channels spacing	≥ 2.5Mhz
Working Temperature	-10 to 45°C
External Dimensions	49x80x39cm
Weight	36Kg

* at max eight above sea level of 1500mt



FDB/2000S

FM STARPOINT COMBINER

FEATURES

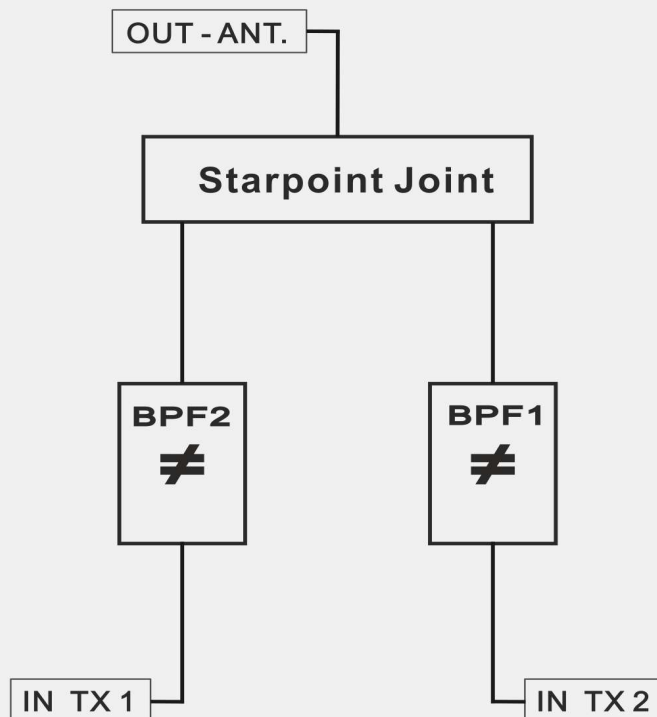
- FM STARPOINT 2 CH COMBINER
- DOUBLE CAVITY FILTERS
- CONNECTORS IN **N**
- CONNECTOR OUT **7/16**



TECHNICAL DATA

Frequency Range	87.5 - 108Mhz
In and Out Impedance	50ohm
Return Loss	≥ 26dB
Attenuation	≤ 0.4dB
Input Power *	500+500W
Isolation	≥ 30dB
Min, Channels spacing	≥ 2.5Mhz
Working Temperature	-10 to 45°C
External Dimensions	42x27x115cm
Weight	22Kg

* at max eight above sea level of 1500mt



FDB/2000S-H

FM STARPOINT COMBINER

FEATURES

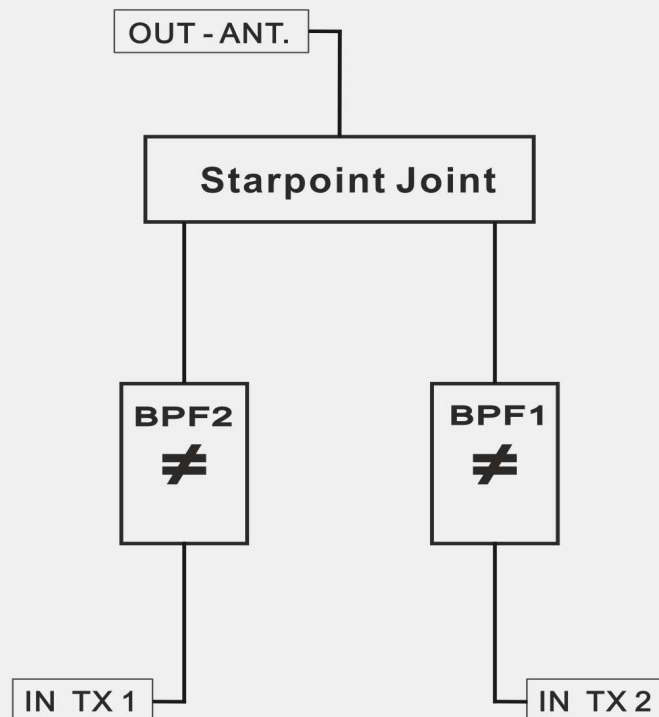
- FM STARPOINT 2 CH COMBINER
- DOUBLE CAVITY FILTERS
- CONNECTORS IN **7/16**
- CONNECTOR OUT **7/8**



TECHNICAL DATA

Frequency Range	87.5 - 108Mhz
In and Out Impedance	50ohm
Return Loss	≥ 26dB
Attenuation	≤ 0.4dB
Input Power *	1+1KW
Isolation	≥ 30dB
Min, Channels spacing	≥ 2.5Mhz
Working Temperature	-10 to 45°C
External Dimensions	42x27x115cm
Weight	24Kg

* at max eight above sea level of 1500mt



FDB/4000S

FM STARPOINT COMBINER

FEATURES

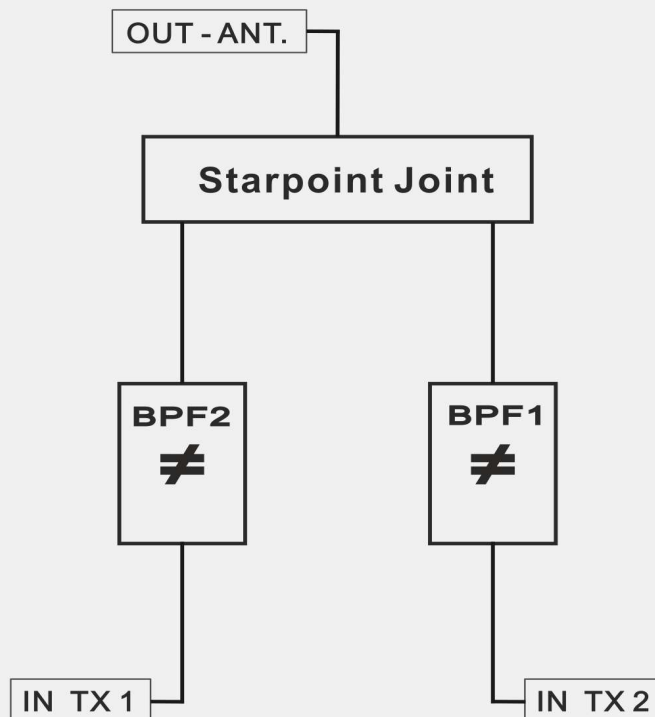
- FM STARPOINT 2 CH COMBINER
- DOUBLE CAVITY FILTERS
- CONNECTORS IN **7/16**
- CONNECTOR OUT **7/8**



TECHNICAL DATA

Frequency Range	87.5 - 108Mhz
In and Out Impedance	50ohm
Return Loss	≥ 26dB
Attenuation	≤ 0.3dB
Input Power *	2+2KW
Isolation	≥ 30dB
Min, Channels spacing	≥ 2.5Mhz
Working Temperature	-10 to 45°C
External Dimensions	41x40x130cm
Weight	38Kg

* at max eight above sea level of 1500mt



FDB/6000S

FM STARPOINT COMBINER

FEATURES

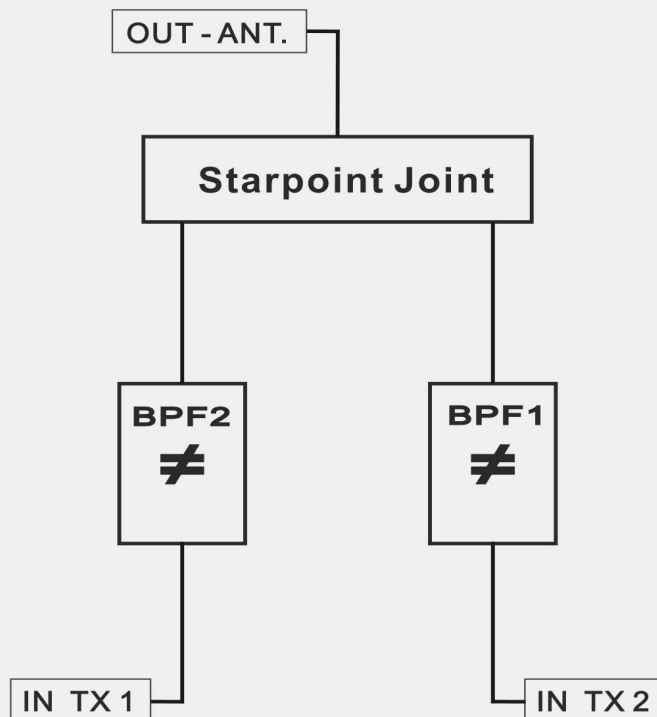
- FM STARPOINT 2 CH COMBINER
- DOUBLE CAVITY FILTERS
- CONNECTORS IN **7/8**
- CONNECTOR OUT **1+5/8**



TECHNICAL DATA

Frequency Range	87.5 - 108Mhz
In and Out Impedance	50ohm
Return Loss	≥ 26dB
Attenuation	≤ 0.3dB
Input Power *	3+3KW
Isolation	≥ 30dB
Min, Channels spacing	≥ 2.5Mhz
Working Temperature	-10 to 45°C
External Dimensions	41x40x130cm
Weight	41Kg

* at max eight above sea level of 1500mt



FDB/10000S

FM STARPOINT COMBINER

FEATURES

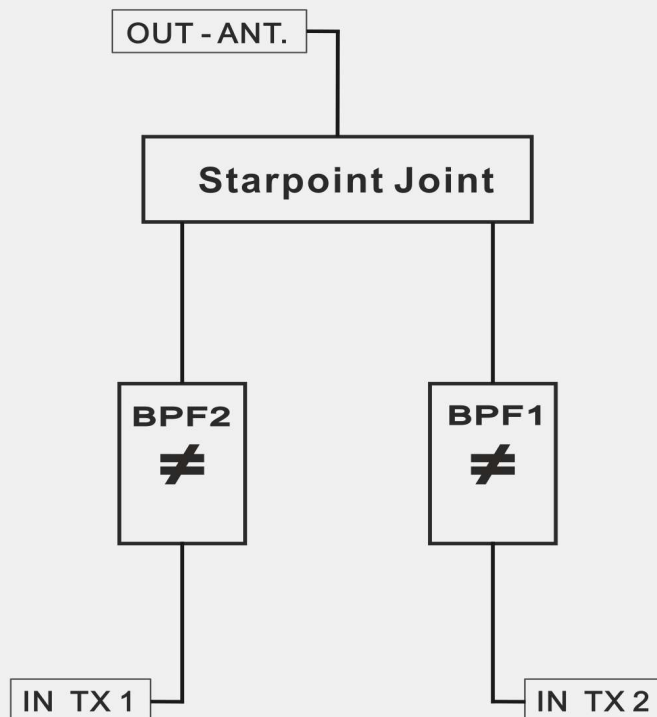
- FM STARPOINT 2 CH COMBINER
- DOUBLE CAVITY FILTERS
- CONNECTORS IN **7/8**
- CONNECTOR OUT **1+5/8**



TECHNICAL DATA

Frequency Range	87.5 - 108Mhz
In and Out Impedance	50ohm
Return Loss	≥ 26dB
Attenuation	≤ 0.2dB
Input Power *	5+5KW
Isolation	≥ 30dB
Min, Channels spacing	≥ 2.5Mhz
Working Temperature	-10 to 45°C
External Dimensions	62x50x135cm
Weight	59Kg

* at max eight above sea level of 1500mt



FTB/3000S

FM STARPOINT COMBINER

FEATURES

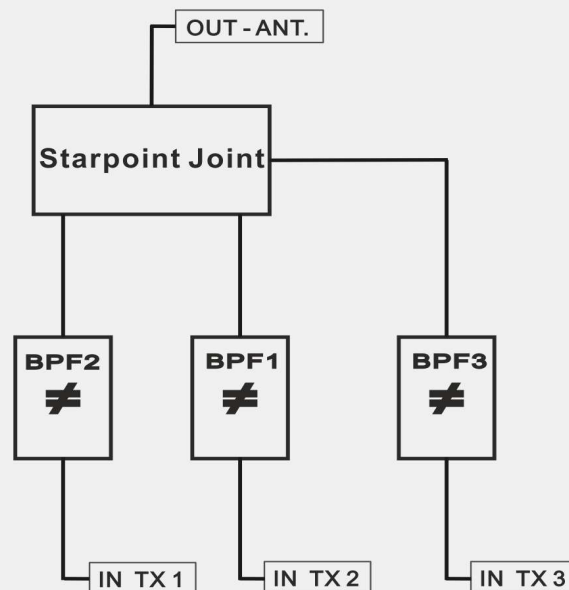
- FM STARPOINT 3 CH COMBINER
- DOUBLE CAVITY FILTERS
- CONNECTORS IN **N**
- CONNECTOR OUT **7/16**



TECHNICAL DATA

Frequency Range	87.5 - 108Mhz
In and Out Impedance	50ohm
Return Loss	≥ 26dB
Attenuation	≤ 0.4dB
Input Power *	3x500W
Isolation	≥ 30dB
Min, Channels spacing	≥ 2.5Mhz
Working Temperature	-10 to 45°C
External Dimensions	62x27x115cm
Weight	32Kg

* at max eight above sea level of 1500mt



FTB/3000S-H

FM STARPOINT COMBINER

FEATURES

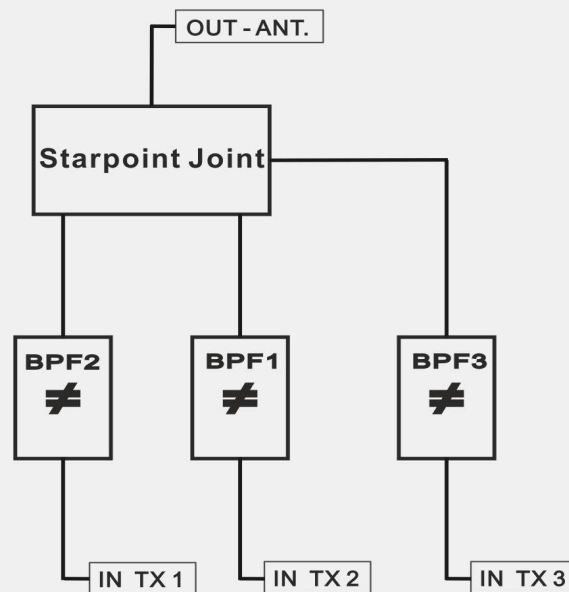
- FM STARPOINT 3 CH COMBINER
- DOUBLE CAVITY FILTERS
- CONNECTORS IN **7/16**
- CONNECTOR OUT **7/8**



TECHNICAL DATA

Frequency Range	87.5 - 108Mhz
In and Out Impedance	50ohm
Return Loss	$\geq 26\text{dB}$
Attenuation	$\leq 0.4\text{dB}$
Input Power *	3x800W
Isolation	$\geq 30\text{dB}$
Min, Channels spacing	$\geq 2.5\text{Mhz}$
Working Temperature	-10 to 45°C
External Dimensions	62x27x115cm
Weight	32Kg

* at max eight above sea level of 1500mt



FTB/4500S

FM STARPOINT COMBINER

FEATURES

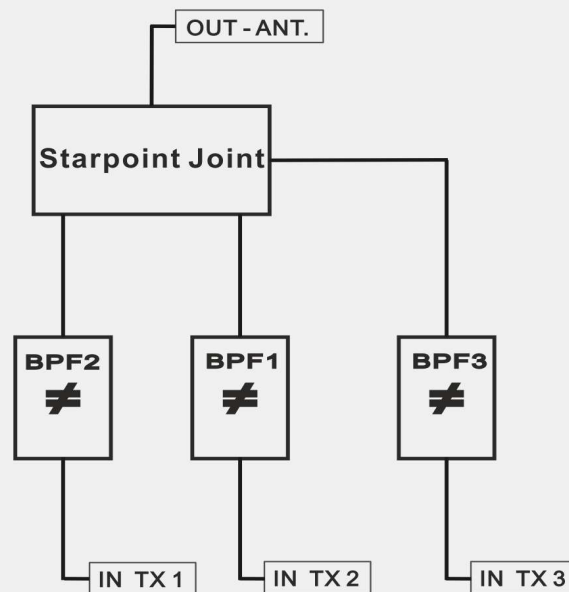
- FM STARPOINT 3 CH COMBINER
- DOUBLE CAVITY FILTERS
- CONNECTORS IN **7/16**
- CONNECTOR OUT **7/8**



TECHNICAL DATA

Frequency Range	87.5 - 108Mhz
In and Out Impedance	50ohm
Return Loss	≥ 26dB
Attenuation	≤ 0.4dB
Input Power *	3x1.5KW
Isolation	≥ 30dB
Min, Channels spacing	≥ 2.5Mhz
Working Temperature	-10 to 45°C
External Dimensions	62x40x130cm
Weight	55Kg

* at max eight above sea level of 1500mt



FTB/6000S

FM STARPOINT COMBINER

FEATURES

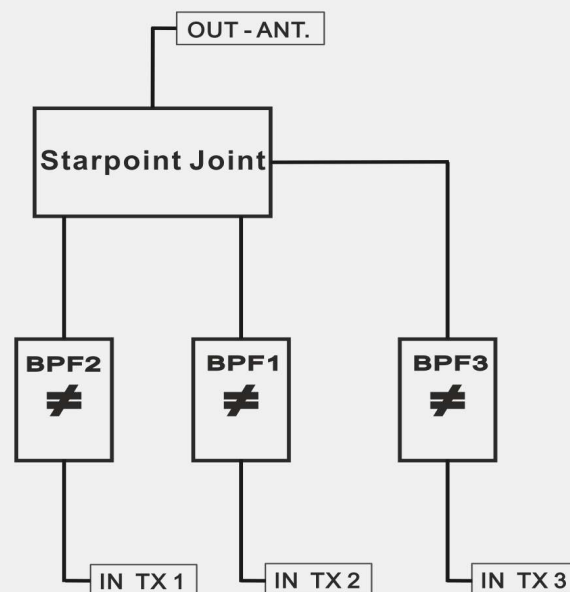
- FM STARPOINT 3 CH COMBINER
- DOUBLE CAVITY FILTERS
- CONNECTORS IN **7/16**
- CONNECTOR OUT **1+5/8**



TECHNICAL DATA

Frequency Range	87.5 - 108Mhz
In and Out Impedance	50ohm
Return Loss	≥ 26dB
Attenuation	≤ 0.4dB
Input Power *	3x2KW
Isolation	≥ 30dB
Min, Channels spacing	≥ 2.5Mhz
Working Temperature	-10 to 45°C
External Dimensions	62x40x130cm
Weight	56Kg

* at max eight above sea level of 1500mt



FTB/7500S

FM STARPOINT COMBINER

FEATURES

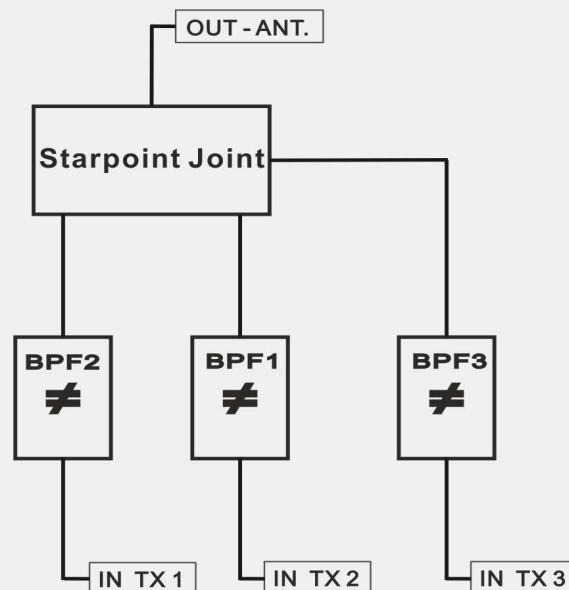
- FM STARPOINT 3 CH COMBINER
- DOUBLE CAVITY FILTERS
- CONNECTORS IN **7/8**
- CONNECTOR OUT **1+5/8**



TECHNICAL DATA

Frequency Range	87.5 - 108Mhz
In and Out Impedance	50ohm
Return Loss	≥ 26dB
Attenuation	≤ 0.4dB
Input Power *	3x2.5KW
Isolation	≥ 30dB
Min, Channels spacing	≥ 2.5Mhz
Working Temperature	-10 to 45°C
External Dimensions	62x40x130cm
Weight	59Kg

* at max eight above sea level of 1500mt



FQB/2000S

FM STARPOINT COMBINER

FEATURES

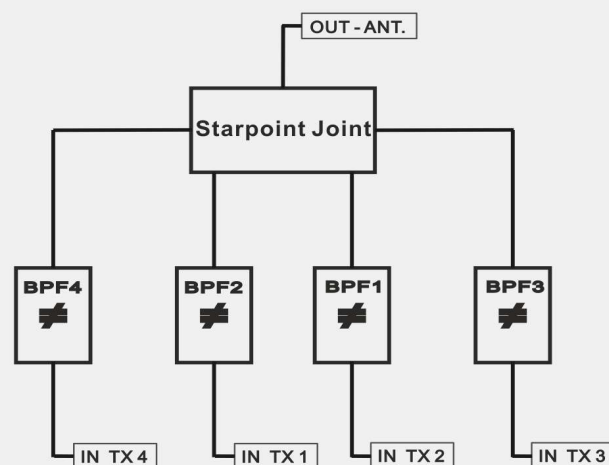
- FM STARPOINT 4 CH COMBINER
- DOUBLE CAVITY FILTERS
- CONNECTORS IN N
- CONNECTOR OUT 7/8



TECHNICAL DATA

Frequency Range	87.5 - 108Mhz
In and Out Impedance	50ohm
Return Loss	≥ 26dB
Attenuation	≤ 0.5dB
Input Power *	4x300W
Isolation	≥ 30dB
Min, Channels spacing	≥ 2.5Mhz
Working Temperature	-10 to 45°C
External Dimensions	65x45x115cm
Weight	47Kg

* at max eight above sea level of 1500mt

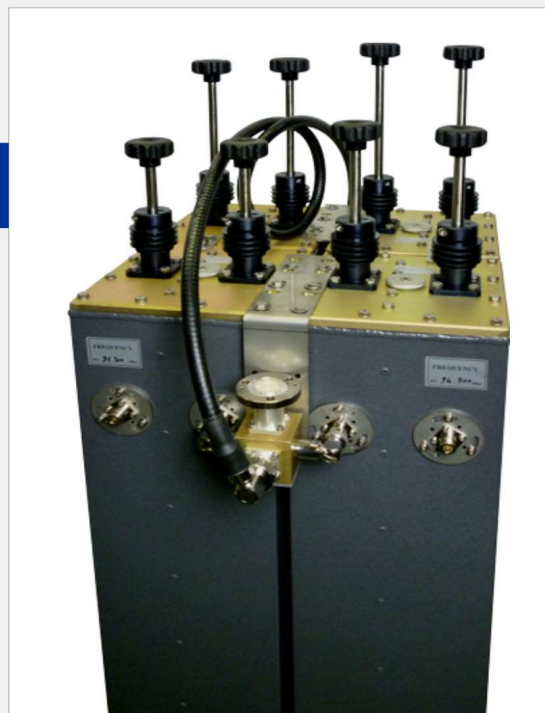


FQB/2000S-H

FM STARPOINT COMBINER

FEATURES

- FM STARPOINT 4 CH COMBINER
- DOUBLE CAVITY FILTERS
- CONNECTORS IN 7/16
- CONNECTOR OUT 7/8



TECHNICAL DATA

Frequency Range	87.5 - 108Mhz
In and Out Impedance	50ohm
Return Loss	≥ 26dB
Attenuation	≤ 0.5dB
Input Power *	4x500W
Isolation	≥ 30dB
Min, Channels spacing	≥ 2.5Mhz
Working Temperature	-10 to 45°C
External Dimensions	65x45x115cm
Weight	51Kg

* at max eight above sea level of 1500mt

