

BKK/2

TV VHF - DAB PANEL ANTENNA

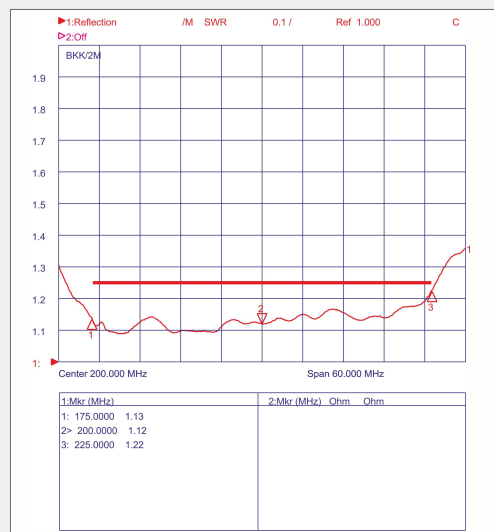
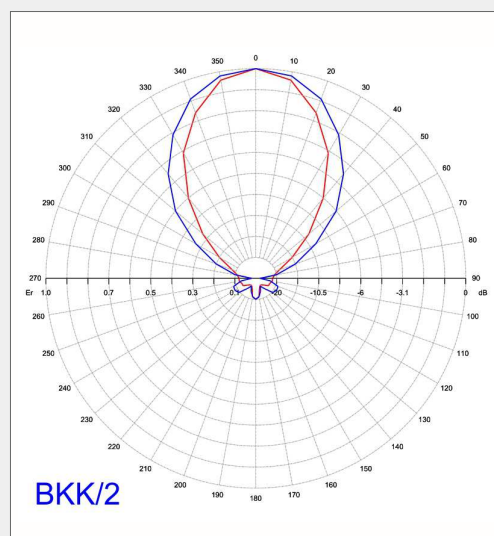
FEATURES

- PANEL ANTENNA TV VHF - DAB
- VERTICAL/HORIZONTAL POLARIZATION
- CONNECTOR IN **7/16 - 7/8**
- WIDE BAND
- MADE OF STAINLESS STEEL
- PTFE INSULATORS
- STAINLESS STEEL SCREWS AND CLAMP



TECHNICAL DATA

Frequency Range (BKK/2)	174 - 225Mhz
Frequency Range (BKK/2-2)	200 - 240Mhz
Impedance	50ohm
Return Loss	≥ 18dB
Gain	7.5dBd
Power, connector 7/16 version	1.5KW
Power, connector 7/8 version	3KW
Wind load at 160Km/h	35kg
Absolute max Wind velocity	220Km/h
External Dimensions	124x87x40cm
Weight	21Kg

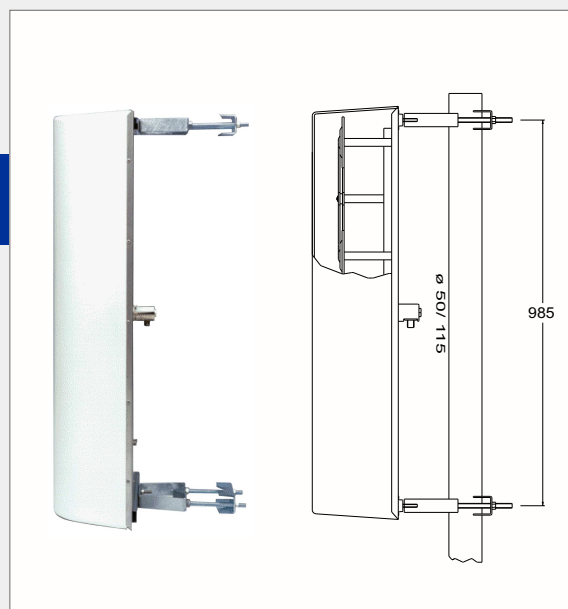


UKK/8

TV UHF PANEL ANTENNA

FEATURES

- PANEL ANTENNA TV UHF
- VERTICAL/HORIZONTAL POLARIZATION
- CONNECTOR IN **7/16 - 7/8**
- WIDE BAND
- MADE OF STAINLESS STEEL
- FIBERGLASS RADOME
- PTFE INSULATORS
- STAINLESS STEEL SCREWS AND CLAMP
- POLE CLAMPS ON REQUEST



TECHNICAL DATA

Frequency Range	470 - 860Mhz
Impedance	50ohm
Return Loss	≥ 25dB
Gain	11.5dBd
Power, connector 7/16 version	1.5KW
Power, connector 7/8 version	2.5KW
Wind load at 160Km/h	26kg
Absolute max Wind velocity	210Km/h
External Dimensions	110x45x20cm
Weight	18Kg

