

Label Italy

FM COMBINERS, STARPOINT & BALANCED or DOUBLE BRIDGE

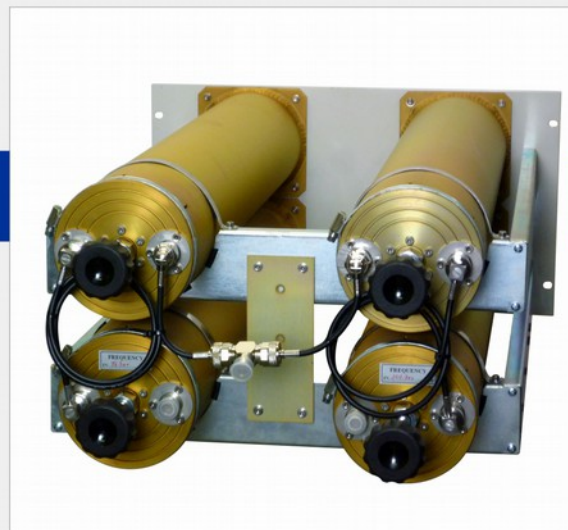
FDB/402S	FM DUPLEXER, Star Point, Double Cavity Filters, rack 19" – 6U	Pag. 1
FDB/602S	FM TRIPLEXER, Star Point, Double Cavity Filters, rack 19" – 9U	Pag. 2
FDB/2000S	FM DUPLEXER, Star Point, Double Cavity Filters	Pag. 3
FDB/2000S-H	FM DUPLEXER, Star Point, Double Cavity Filters	Pag. 4
FDB/4000S	FM DUPLEXER, Star Point, Double Cavity Filters	Pag. 5
FDB/6000S	FM DUPLEXER, Star Point, Double Cavity Filters	Pag. 6
FDB/10000S	FM DUPLEXER, Star Point, Double Cavity Filters	Pag. 7
FTB/3000S	FM TRIPLEXER, Star Point, Double Cavity Filters	Pag. 8
FTB/3000S-H	FM TRIPLEXER, Star Point, Double Cavity Filters	Pag. 9
FTB/4500S	FM TRIPLEXER, Star Point, Double Cavity Filters	Pag. 10
FTB/6000S	FM TRIPLEXER, Star Point, Double Cavity Filters	Pag. 11
FTB/7500S	FM TRIPLEXER, Star Point, Double Cavity Filters	Pag. 12
FQB/2000S	FM TRIPLEXER, Star Point, Double Cavity Filters	Pag. 13
FQB/2000S-H	FM TRIPLEXER, Star Point, Double Cavity Filters	Pag. 14
FDT/403S	FM DUPLEXER, Star Point, Triple cavity Filters, rack 19" - 9U	Pag. 15
FDT/2000S	FM DUPLEXER, Star Point, Triple Cavity Filters	Pag. 16
FDT/2000S-H	FM DUPLEXER, Star Point, Triple Cavity Filters	Pag. 17
FDT/4000S	FM DUPLEXER, Star Point, Triple Cavity Filters	Pag. 18
FDT/6000S	FM DUPLEXER, Star Point, Triple Cavity Filters	Pag. 19
FDT/10000S	FM DUPLEXER, Star Point, Triple Cavity Filters	Pag. 20
FTT/3000S	FM TRIPLEXER, Star Point, Triple Cavity Filters	Pag. 21
FTT/3000S-H	FM TRIPLEXER, Star Point, Triple Cavity Filters	Pag. 22
FTT/4500S	FM TRIPLEXER, Star Point, Triple Cavity Filters	Pag. 23
FTT/6000S	FM TRIPLEXER, Star Point, Triple Cavity Filters	Pag. 24
FTT/7500S	FM QUADRIplexER, Star Point, Triple Cavity Filters	Pag. 25
FQT/4000S	FM QUADRIplexER, Star Point, Triple Cavity Filters	Pag. 26
FQT/4000S-H	FM QUADRIplexER, Star Point, Triple Cavity Filters	Pag. 27
FDB/2000	FM DUPLEXER, Double Bridge, Double Cavity Filters	Pag. 28
FDB/3000	FM DUPLEXER, Double Bridge, Double Cavity Filters	Pag. 29
FDB/4000	FM DUPLEXER, Double Bridge, Double Cavity Filters	Pag. 30
FDB/8000	FM DUPLEXER, Double Bridge, Double Cavity Filters	Pag. 31
FDT/3000	FM DUPLEXER, Double Bridge, Triple Cavity Filters	Pag. 32
FDT/4000	FM DUPLEXER, Double Bridge, Triple Cavity Filters	Pag. 33
FDT/8000	FM DUPLEXER, Double Bridge, Triple Cavity Filters	Pag. 34

FDB/402S

FM STARPOINT COMBINER

FEATURES

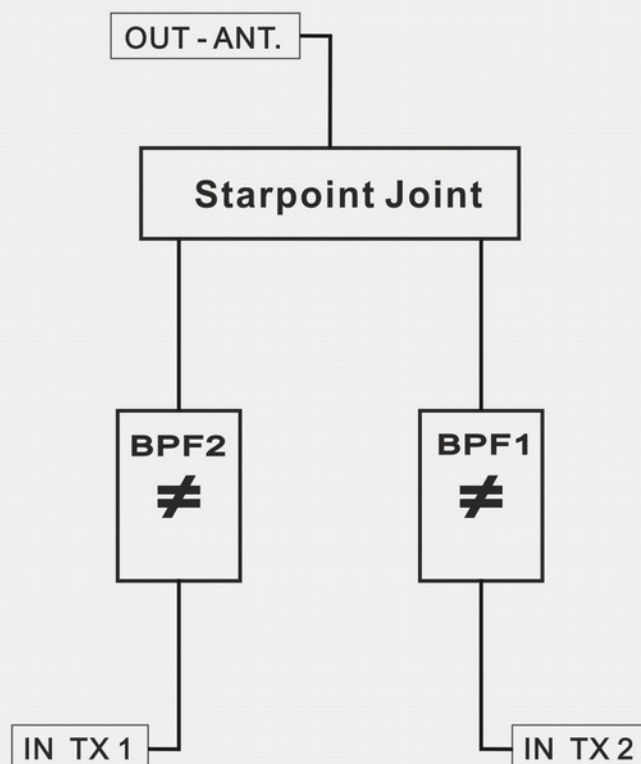
- FM STARPOINT 2 CH COMBINER
- RACK VERSION, 19" 6U
- DOUBLE CAVITY FILTERS
- CONNECTORS IN **N**
- CONNECTOR OUT **N**



TECHNICAL DATA

Frequency Range	87.5 - 108Mhz
In and Out Impedance	50ohm
Return Loss	≥ 26dB
Attenuation	≤ 0.5dB
Input Power *	200+200W
Isolation	≥ 30dB
Min, Channels spacing	≥ 2.5Mhz
Working Temperature	-10 to 45°C
External Dimensions	49x80x26cm
Weight	24Kg

* at max eight above sea level of 1500mt



* To adapt our products line to the highest quality standards and at the same time in order to guarantee respect for the environment and human health, we have decided to modify the surface treatments of the aluminum components, eliminating hexavalent chromium (Alodine 1200) and passing to the new Passivation and protection process called **SurTec 650**. This treatment guarantees excellent protection of the aluminum even without using Chromium VI. This means that from now on all our aluminum products will no longer have the typical yellow-gold color as the new treatment is practically transparent and colorless.

FDB/602S

FM STARPOINT COMBINER

FEATURES

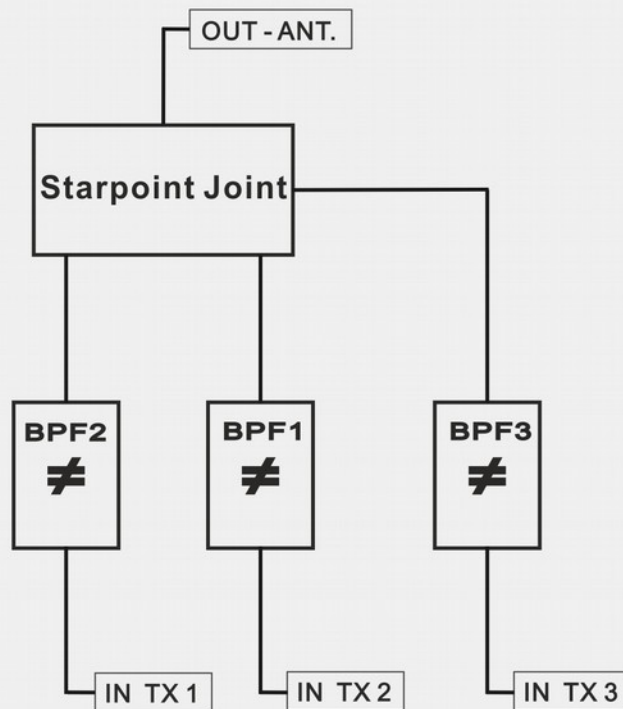
- FM STARPOINT 3 CH COMBINER
- RACK VERSION, 19" 9U
- DOUBLE CAVITY FILTERS
- CONNECTORS IN **N**
- CONNECTOR OUT **N**



TECHNICAL DATA

Frequency Range	87.5 - 108Mhz
In and Out Impedance	50ohm
Return Loss	≥ 26dB
Attenuation	≤ 0.6dB
Input Power *	3x150W
Isolation	≥ 30dB
Min, Channels spacing	≥ 2.5Mhz
Working Temperature	-10 to 45°C
External Dimensions	49x80x39cm
Weight	36Kg

* at max eight above sea level of 1500mt



* To adapt our products line to the highest quality standards and at the same time in order to guarantee respect for the environment and human health, we have decided to modify the surface treatments of the aluminum components, eliminating hexavalent chromium (Alodine 1200) and passing to the new Passivation and protection process called **SurTec 650**. This treatment guarantees excellent protection of the aluminum even without using Chromium VI. This means that from now on all our aluminum products will no longer have the typical yellow-gold color as the new treatment is practically transparent and colorless.

FDB/2000S

FM STARPOINT COMBINER

FEATURES

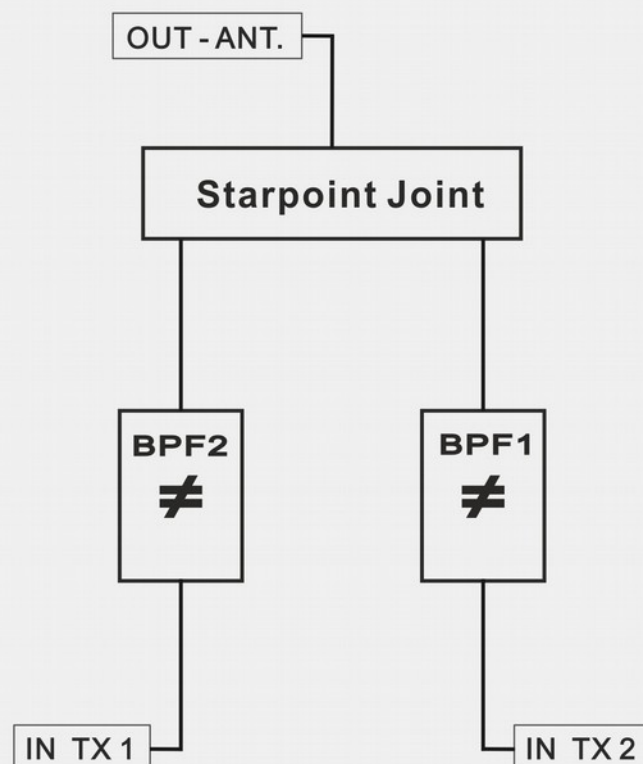
- FM STARPOINT 2 CH COMBINER
- DOUBLE CAVITY FILTERS
- CONNECTORS IN **N**
- CONNECTOR OUT **7/16**



TECHNICAL DATA

Frequency Range	87.5 - 108Mhz
In and Out Impedance	50ohm
Return Loss	≥ 26dB
Attenuation	≤ 0.4dB
Input Power *	500+500W
Isolation	≥ 30dB
Min, Channels spacing	≥ 2.5Mhz
Working Temperature	-10 to 45°C
External Dimensions	42x27x115cm
Weight	22Kg

* at max eight above sea level of 1500mt



* To adapt our products line to the highest quality standards and at the same time in order to guarantee respect for the environment and human health, we have decided to modify the surface treatments of the aluminum components, eliminating hexavalent chromium (Alodine 1200) and passing to the new Passivation and protection process called **SurTec 650**. This treatment guarantees excellent protection of the aluminum even without using Chromium VI. This means that from now on all our aluminum products will no longer have the typical yellow-gold color as the new treatment is practically transparent and colorless.

FDB/2000S-H

FM STARPOINT COMBINER

FEATURES

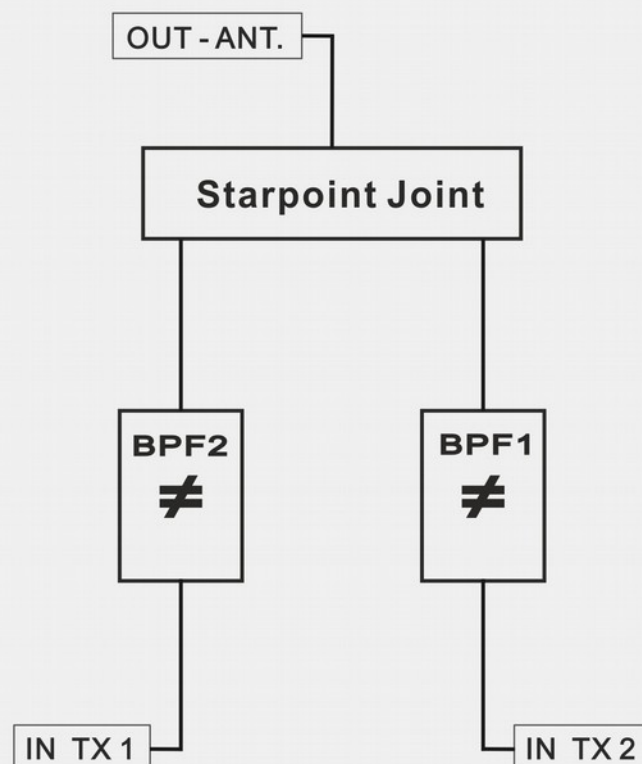
- FM STARPOINT 2 CH COMBINER
- DOUBLE CAVITY FILTERS
- CONNECTORS IN **7/16**
- CONNECTOR OUT **7/8**



TECHNICAL DATA

Frequency Range	87.5 - 108Mhz
In and Out Impedance	50ohm
Return Loss	≥ 26dB
Attenuation	≤ 0.4dB
Input Power *	1+1KW
Isolation	≥ 30dB
Min, Channels spacing	≥ 2.5Mhz
Working Temperature	-10 to 45°C
External Dimensions	42x27x115cm
Weight	24Kg

* at max eight above sea level of 1500mt



* To adapt our products line to the highest quality standards and at the same time in order to guarantee respect for the environment and human health, we have decided to modify the surface treatments of the aluminum components, eliminating hexavalent chromium (Alodine 1200) and passing to the new Passivation and protection process called **SurTec 650**. This treatment guarantees excellent protection of the aluminum even without using Chromium VI. This means that from now on all our aluminum products will no longer have the typical yellow-gold color as the new treatment is practically transparent and colorless.

FDB/4000S

FM STARPOINT COMBINER

FEATURES

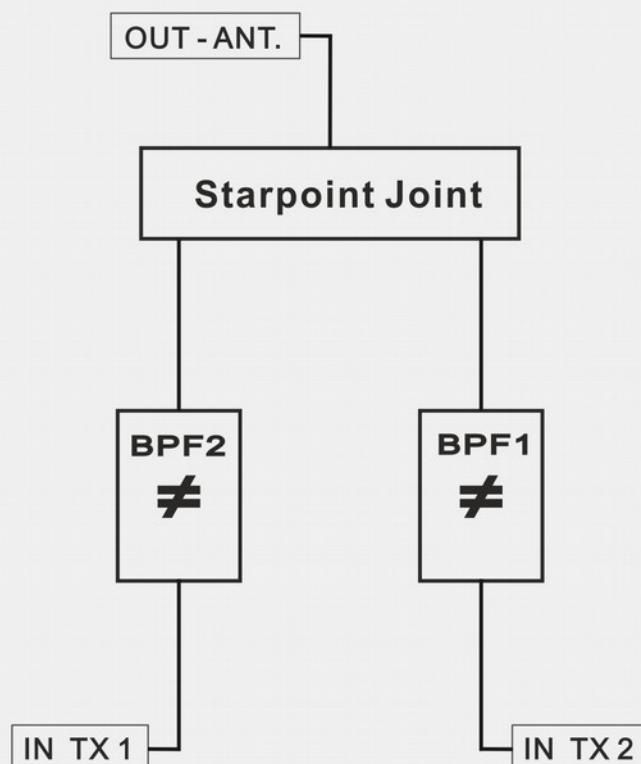
- FM STARPOINT 2 CH COMBINER
- DOUBLE CAVITY FILTERS
- CONNECTORS IN **7/16**
- CONNECTOR OUT **7/8**



TECHNICAL DATA

Frequency Range	87.5 - 108Mhz
In and Out Impedance	50ohm
Return Loss	≥ 26dB
Attenuation	≤ 0.3dB
Input Power *	2+2KW
Isolation	≥ 30dB
Min, Channels spacing	≥ 2.5Mhz
Working Temperature	-10 to 45°C
External Dimensions	41x40x130cm
Weight	38Kg

* at max eight above sea level of 1500mt



* To adapt our products line to the highest quality standards and at the same time in order to guarantee respect for the environment and human health, we have decided to modify the surface treatments of the aluminum components, eliminating hexavalent chromium (Alodine 1200) and passing to the new Passivation and protection process called **SurTec 650**. This treatment guarantees excellent protection of the aluminum even without using Chromium VI. This means that from now on all our aluminum products will no longer have the typical yellow-gold color as the new treatment is practically transparent and colorless.

FDB/6000S

FM STARPOINT COMBINER

FEATURES

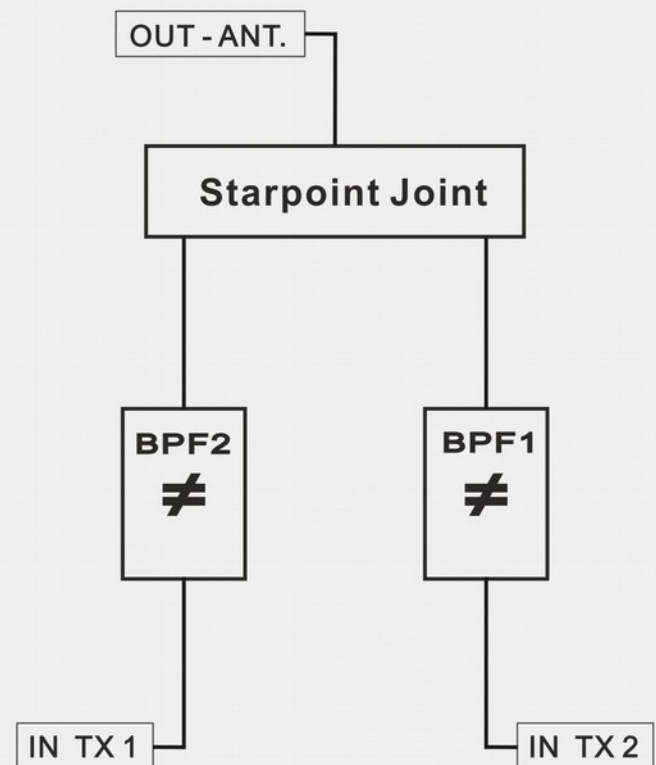
- FM STARPOINT 2 CH COMBINER
- DOUBLE CAVITY FILTERS
- CONNECTORS IN **7/8**
- CONNECTOR OUT **1+5/8**



TECHNICAL DATA

Frequency Range	87.5 - 108Mhz
In and Out Impedance	50ohm
Return Loss	≥ 26dB
Attenuation	≤ 0.3dB
Input Power *	3+3KW
Isolation	≥ 30dB
Min, Channels spacing	≥ 2.5Mhz
Working Temperature	-10 to 45°C
External Dimensions	41x40x130cm
Weight	41Kg

* at max eight above sea level of 1500mt



* To adapt our products line to the highest quality standards and at the same time in order to guarantee respect for the environment and human health, we have decided to modify the surface treatments of the aluminum components, eliminating hexavalent chromium (Alodine 1200) and passing to the new Passivation and protection process called **SurTec 650**. This treatment guarantees excellent protection of the aluminum even without using Chromium VI. This means that from now on all our aluminum products will no longer have the typical yellow-gold color as the new treatment is practically transparent and colorless.

FDB/10000S

FM STARPOINT COMBINER

FEATURES

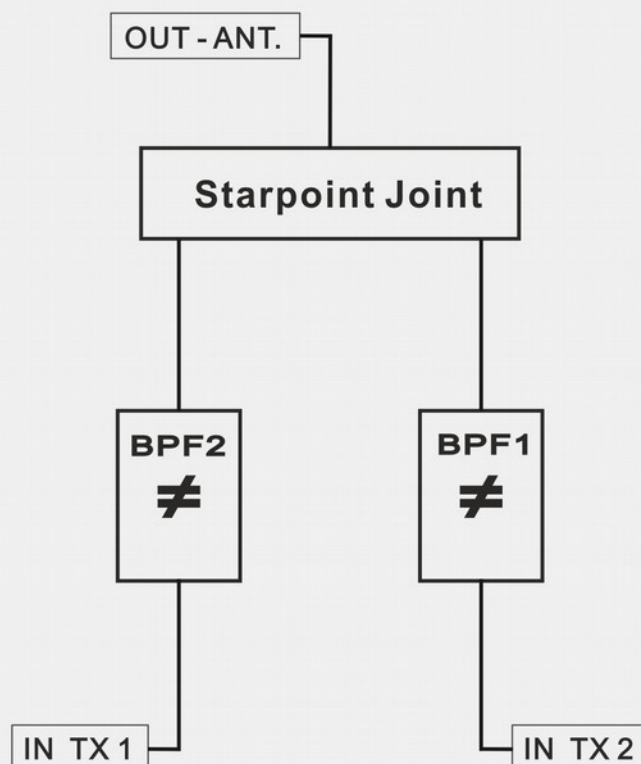
- FM STARPOINT 2 CH COMBINER
- DOUBLE CAVITY FILTERS
- CONNECTORS IN **7/8**
- CONNECTOR OUT **1+5/8**



TECHNICAL DATA

Frequency Range	87.5 - 108Mhz
In and Out Impedance	50ohm
Return Loss	≥ 26dB
Attenuation	≤ 0.2dB
Input Power *	5+5KW
Isolation	≥ 30dB
Min, Channels spacing	≥ 2.5Mhz
Working Temperature	-10 to 45°C
External Dimensions	62x50x135cm
Weight	59Kg

* at max eight above sea level of 1500mt



* To adapt our products line to the highest quality standards and at the same time in order to guarantee respect for the environment and human health, we have decided to modify the surface treatments of the aluminum components, eliminating hexavalent chromium (Alodine 1200) and passing to the new Passivation and protection process called **SurTec 650**. This treatment guarantees excellent protection of the aluminum even without using Chromium VI. This means that from now on all our aluminum products will no longer have the typical yellow-gold color as the new treatment is practically transparent and colorless.

FTB/3000S

FM STARPOINT COMBINER

FEATURES

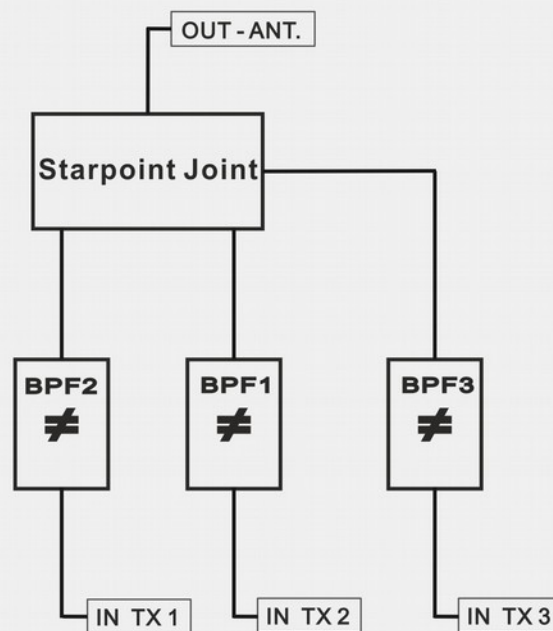
- FM STARPOINT 3 CH COMBINER
- DOUBLE CAVITY FILTERS
- CONNECTORS IN **N**
- CONNECTOR OUT **7/16**



TECHNICAL DATA

Frequency Range	87.5 - 108Mhz
In and Out Impedance	50ohm
Return Loss	≥ 26dB
Attenuation	≤ 0.4dB
Input Power *	3x500W
Isolation	≥ 30dB
Min, Channels spacing	≥ 2.5Mhz
Working Temperature	-10 to 45°C
External Dimensions	62x27x115cm
Weight	32Kg

* at max eight above sea level of 1500mt



* To adapt our products line to the highest quality standards and at the same time in order to guarantee respect for the environment and human health, we have decided to modify the surface treatments of the aluminum components, eliminating hexavalent chromium (Alodine 1200) and passing to the new Passivation and protection process called **SurTec 650**. This treatment guarantees excellent protection of the aluminum even without using Chromium VI. This means that from now on all our aluminum products will no longer have the typical yellow-gold color as the new treatment is practically transparent and colorless.

FTB/3000S-H

FM STARPOINT COMBINER

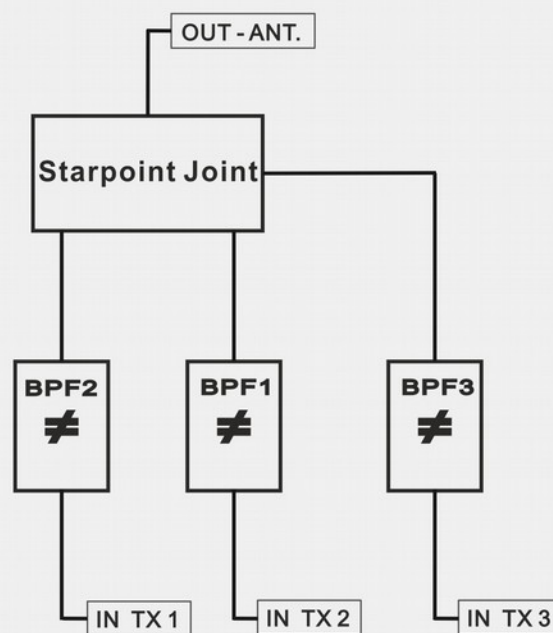
FEATURES

- FM STARPOINT 3 CH COMBINER
- DOUBLE CAVITY FILTERS
- CONNECTORS IN **7/16**
- CONNECTOR OUT **7/8**



TECHNICAL DATA

Frequency Range	87.5 - 108Mhz
In and Out Impedance	50ohm
Return Loss	≥ 26dB
Attenuation	≤ 0.4dB
Input Power *	3x800W
Isolation	≥ 30dB
Min, Channels spacing	≥ 2.5Mhz
Working Temperature	-10 to 45°C
External Dimensions	62x27x115cm
Weight	32Kg
* at max eight above sea level of 1500mt	



* To adapt our products line to the highest quality standards and at the same time in order to guarantee respect for the environment and human health, we have decided to modify the surface treatments of the aluminum components, eliminating hexavalent chromium (Alodine 1200) and passing to the new Passivation and protection process called **SurTec 650**. This treatment guarantees excellent protection of the aluminum even without using Chromium VI. This means that from now on all our aluminum products will no longer have the typical yellow-gold color as the new treatment is practically transparent and colorless.

FTB/4500S

FM STARPOINT COMBINER

FEATURES

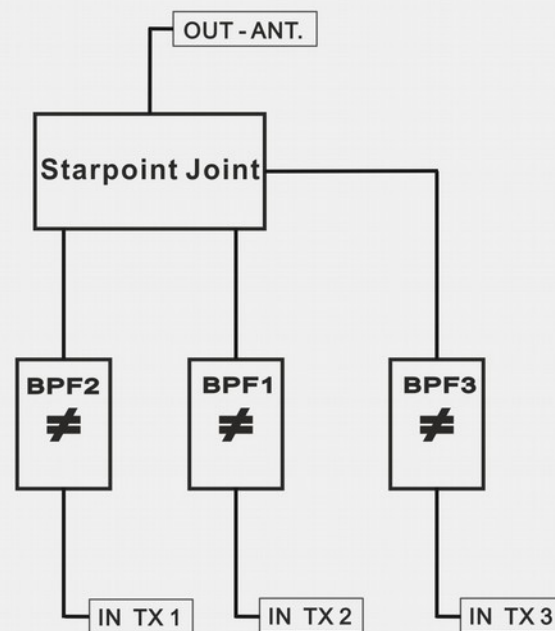
- FM STARPOINT 3 CH COMBINER
- DOUBLE CAVITY FILTERS
- CONNECTORS IN **7/16**
- CONNECTOR OUT **7/8**



TECHNICAL DATA

Frequency Range	87.5 - 108Mhz
In and Out Impedance	50ohm
Return Loss	≥ 26dB
Attenuation	≤ 0.4dB
Input Power *	3x1.5KW
Isolation	≥ 30dB
Min, Channels spacing	≥ 2.5Mhz
Working Temperature	-10 to 45°C
External Dimensions	62x40x130cm
Weight	55Kg

* at max eight above sea level of 1500mt



* To adapt our products line to the highest quality standards and at the same time in order to guarantee respect for the environment and human health, we have decided to modify the surface treatments of the aluminum components, eliminating hexavalent chromium (Alodine 1200) and passing to the new Passivation and protection process called **SurTec 650**. This treatment guarantees excellent protection of the aluminum even without using Chromium VI. This means that from now on all our aluminum products will no longer have the typical yellow-gold color as the new treatment is practically transparent and colorless.

FTB/6000S

FM STARPOINT COMBINER

FEATURES

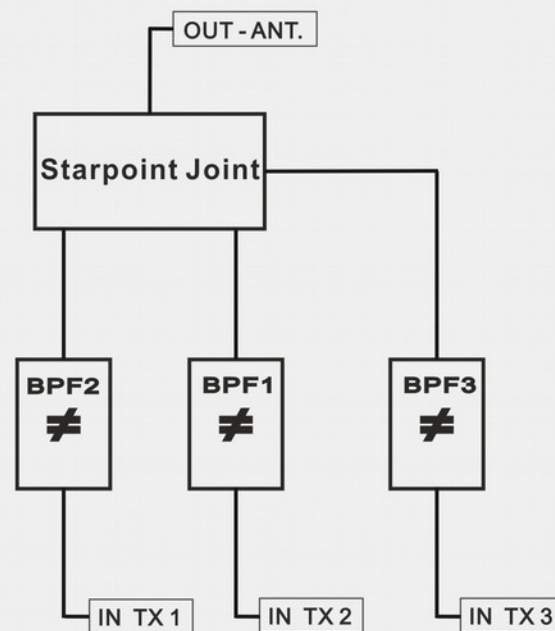
- FM STARPOINT 3 CH COMBINER
- DOUBLE CAVITY FILTERS
- CONNECTORS IN 7/16
- CONNECTOR OUT 1+5/8



TECHNICAL DATA

Frequency Range	87.5 - 108Mhz
In and Out Impedance	50ohm
Return Loss	≥ 26dB
Attenuation	≤ 0.4dB
Input Power *	3x2KW
Isolation	≥ 30dB
Min, Channels spacing	≥ 2.5Mhz
Working Temperature	-10 to 45°C
External Dimensions	62x40x130cm
Weight	56Kg

* at max eight above sea level of 1500mt



* To adapt our products line to the highest quality standards and at the same time in order to guarantee respect for the environment and human health, we have decided to modify the surface treatments of the aluminum components, eliminating hexavalent chromium (Alodine 1200) and passing to the new Passivation and protection process called **SurTec 650**. This treatment guarantees excellent protection of the aluminum even without using Chromium VI. This means that from now on all our aluminum products will no longer have the typical yellow-gold color as the new treatment is practically transparent and colorless.

FTB/7500S

FM STARPOINT COMBINER

FEATURES

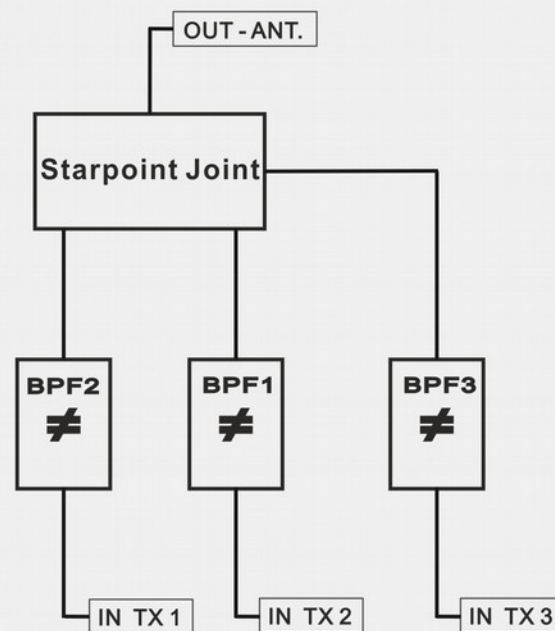
- FM STARPOINT 3 CH COMBINER
- DOUBLE CAVITY FILTERS
- CONNECTORS IN **7/8**
- CONNECTOR OUT **1+5/8**



TECHNICAL DATA

Frequency Range	87.5 - 108Mhz
In and Out Impedance	50ohm
Return Loss	≥ 26dB
Attenuation	≤ 0.4dB
Input Power *	3x2.5KW
Isolation	≥ 30dB
Min, Channels spacing	≥ 2.5Mhz
Working Temperature	-10 to 45°C
External Dimensions	62x40x130cm
Weight	59Kg

* at max eight above sea level of 1500mt



* To adapt our products line to the highest quality standards and at the same time in order to guarantee respect for the environment and human health, we have decided to modify the surface treatments of the aluminum components, eliminating hexavalent chromium (Alodine 1200) and passing to the new Passivation and protection process called **SurTec 650**. This treatment guarantees excellent protection of the aluminum even without using Chromium VI. This means that from now on all our aluminum products will no longer have the typical yellow-gold color as the new treatment is practically transparent and colorless.

FQB/2000S

FM STARPOINT COMBINER

FEATURES

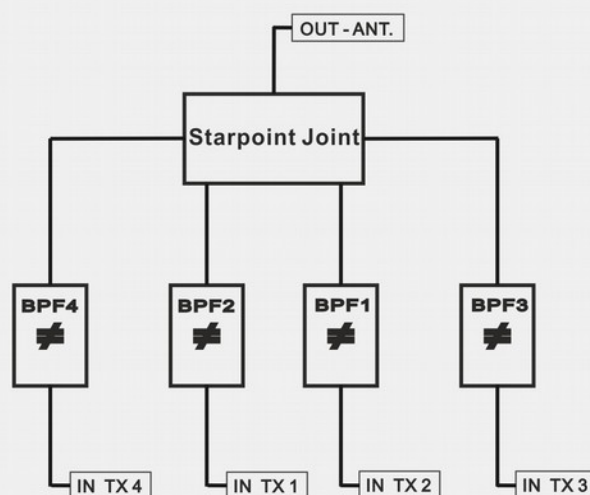
- FM STARPOINT 4 CH COMBINER
- DOUBLE CAVITY FILTERS
- CONNECTORS IN **N**
- CONNECTOR OUT **7/8**



TECHNICAL DATA

Frequency Range	87.5 - 108Mhz
In and Out Impedance	50ohm
Return Loss	≥ 26dB
Attenuation	≤ 0.5dB
Input Power *	4x300W
Isolation	≥ 30dB
Min, Channels spacing	≥ 2.5Mhz
Working Temperature	-10 to 45°C
External Dimensions	54x42x115cm
Weight	47Kg

* at max eight above sea level of 1500mt



* To adapt our products line to the highest quality standards and at the same time in order to guarantee respect for the environment and human health, we have decided to modify the surface treatments of the aluminum components, eliminating hexavalent chromium (Alodine 1200) and passing to the new Passivation and protection process called **SurTec 650**. This treatment guarantees excellent protection of the aluminum even without using Chromium VI. This means that from now on all our aluminum products will no longer have the typical yellow-gold color as the new treatment is practically transparent and colorless.

FQB/2000S-H

FM STARPOINT COMBINER

FEATURES

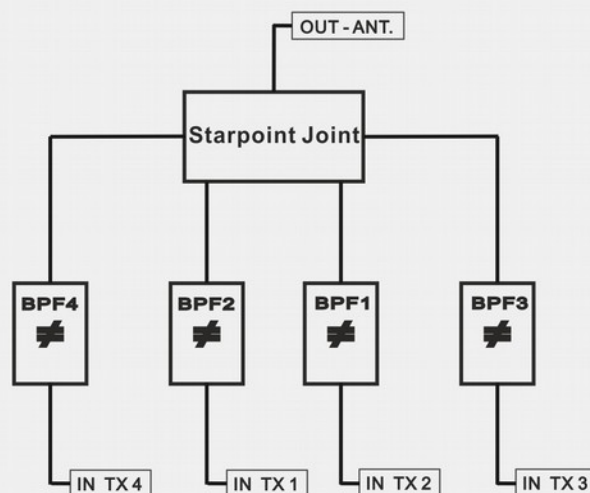
- FM STARPOINT 4 CH COMBINER
- DOUBLE CAVITY FILTERS
- CONNECTORS IN 7/16
- CONNECTOR OUT 7/8



TECHNICAL DATA

Frequency Range	87.5 - 108Mhz
In and Out Impedance	50ohm
Return Loss	≥ 26dB
Attenuation	≤ 0.5dB
Input Power *	4x500W
Isolation	≥ 30dB
Min, Channels spacing	≥ 2.5Mhz
Working Temperature	-10 to 45°C
External Dimensions	54x42x115cm
Weight	51Kg

* at max eight above sea level of 1500mt



* To adapt our products line to the highest quality standards and at the same time in order to guarantee respect for the environment and human health, we have decided to modify the surface treatments of the aluminum components, eliminating hexavalent chromium (Alodine 1200) and passing to the new Passivation and protection process called **SurTec 650**. This treatment guarantees excellent protection of the aluminum even without using Chromium VI. This means that from now on all our aluminum products will no longer have the typical yellow-gold color as the new treatment is practically transparent and colorless.

FDT/403S

FM STARPOINT COMBINER

FEATURES

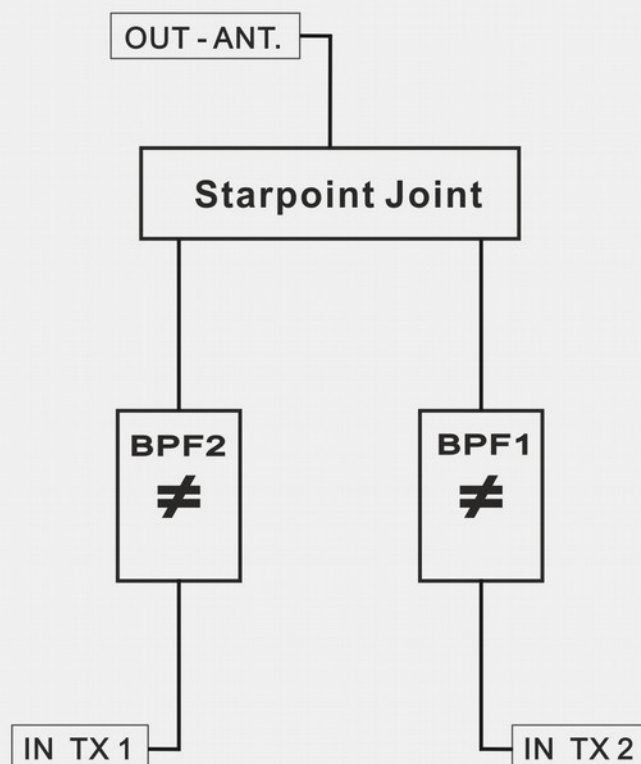
- FM STARPOINT 2 CH COMBINER
- RACK VERSION, 19" 9U
- TRIPLE CAVITY FILTERS
- CONNECTORS IN **N**
- CONNECTOR OUT **N**



TECHNICAL DATA

Frequency Range	87.5 - 108Mhz
In and Out Impedance	50ohm
Return Loss	≥ 26dB
Attenuation	≤ 0.7dB
Input Power *	200+200W
Isolation	≥ 30dB
Min, Channels spacing	≥ 1.5Mhz
Working Temperature	-10 to 45°C
External Dimensions	49x80x39cm
Weight	36Kg

* at max eight above sea level of 1500mt



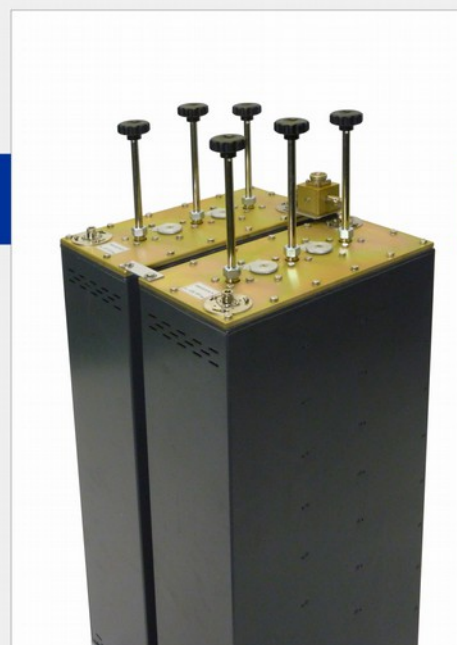
* To adapt our products line to the highest quality standards and at the same time in order to guarantee respect for the environment and human health, we have decided to modify the surface treatments of the aluminum components, eliminating hexavalent chromium (Alodine 1200) and passing to the new Passivation and protection process called **SurTec 650**. This treatment guarantees excellent protection of the aluminum even without using Chromium VI. This means that from now on all our aluminum products will no longer have the typical yellow-gold color as the new treatment is practically transparent and colorless.

FDT/2000S

FM STARPOINT COMBINER

FEATURES

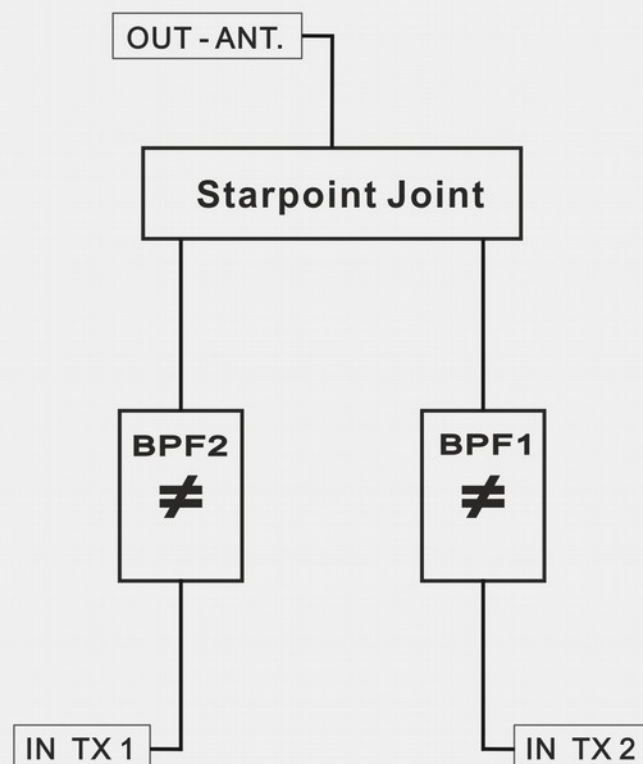
- FM STARPOINT 2 CH COMBINER
- TRIPLE CAVITY FILTERS
- CONNECTORS IN **N**
- CONNECTOR OUT **7/16**



TECHNICAL DATA

Frequency Range	87.5 - 108Mhz
In and Out Impedance	50ohm
Return Loss	≥ 26dB
Attenuation	≤ 0.6dB
Input Power *	800+800W
Isolation	≥ 30dB
Min, Channels spacing	≥ 1.5Mhz
Working Temperature	-10 to 45°C
External Dimensions	41x40x130cm
Weight	32Kg

* at max eight above sea level of 1500mt



* To adapt our products line to the highest quality standards and at the same time in order to guarantee respect for the environment and human health, we have decided to modify the surface treatments of the aluminum components, eliminating hexavalent chromium (Alodine 1200) and passing to the new Passivation and protection process called **SurTec 650**. This treatment guarantees excellent protection of the aluminum even without using Chromium VI. This means that from now on all our aluminum products will no longer have the typical yellow-gold color as the new treatment is practically transparent and colorless.

FDT/2000S-H

FM STARPOINT COMBINER

FEATURES

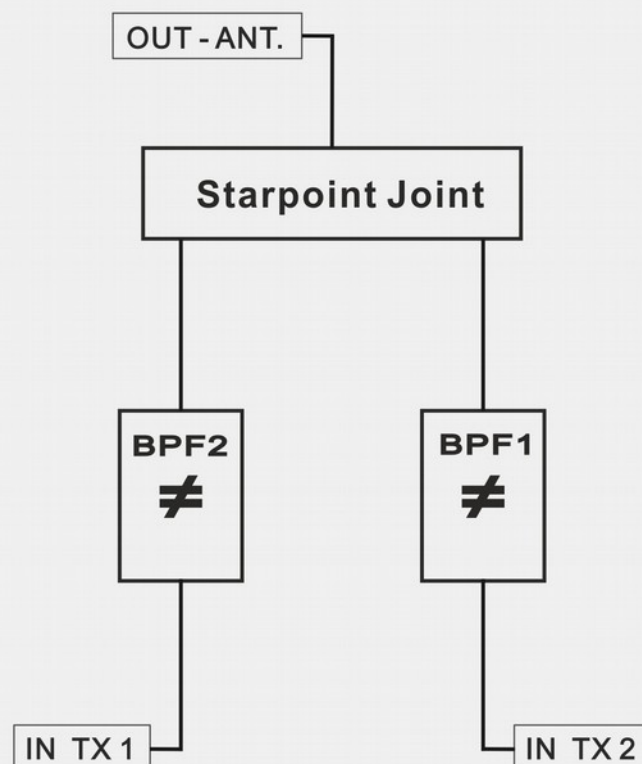
- FM STARPOINT 2 CH COMBINER
- TRIPLE CAVITY FILTERS
- CONNECTORS IN **7/16**
- CONNECTOR OUT **7/8**



TECHNICAL DATA

Frequency Range	87.5 - 108Mhz
In and Out Impedance	50ohm
Return Loss	≥ 26dB
Attenuation	≤ 0.6dB
Input Power *	1.2+1.2KW
Isolation	≥ 30dB
Min, Channels spacing	≥ 1.5Mhz
Working Temperature	-10 to 45°C
External Dimensions	41x40x130cm
Weight	34Kg

* at max eight above sea level of 1500mt



* To adapt our products line to the highest quality standards and at the same time in order to guarantee respect for the environment and human health, we have decided to modify the surface treatments of the aluminum components, eliminating hexavalent chromium (Alodine 1200) and passing to the new Passivation and protection process called **SurTec 650**. This treatment guarantees excellent protection of the aluminum even without using Chromium VI. This means that from now on all our aluminum products will no longer have the typical yellow-gold color as the new treatment is practically transparent and colorless.

FDT/4000S

FM STARPOINT COMBINER

FEATURES

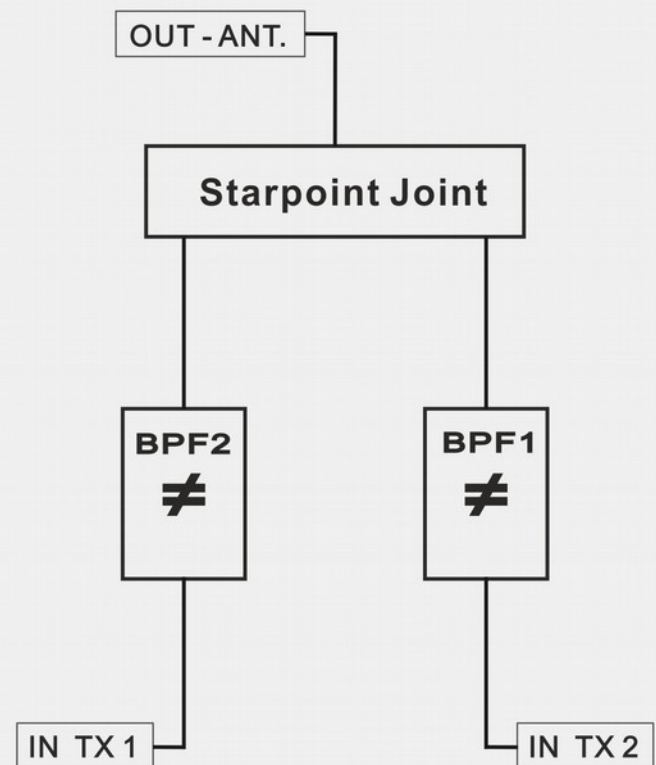
- FM STARPOINT 2 CH COMBINER
- TRIPLE CAVITY FILTERS
- CONNECTORS IN **7/16**
- CONNECTOR OUT **7/8**



TECHNICAL DATA

Frequency Range	87.5 - 108Mhz
In and Out Impedance	50ohm
Return Loss	≥ 26dB
Attenuation	≤ 0.5dB
Input Power *	2+2KW
Isolation	≥ 30dB
Min, Channels spacing	≥ 1.5Mhz
Working Temperature	-10 to 45°C
External Dimensions	41x60x130cm
Weight	58Kg

* at max eight above sea level of 1500mt



* To adapt our products line to the highest quality standards and at the same time in order to guarantee respect for the environment and human health, we have decided to modify the surface treatments of the aluminum components, eliminating hexavalent chromium (Alodine 1200) and passing to the new Passivation and protection process called **SurTec 650**. This treatment guarantees excellent protection of the aluminum even without using Chromium VI. This means that from now on all our aluminum products will no longer have the typical yellow-gold color as the new treatment is practically transparent and colorless.

FDT/6000S

FM STARPOINT COMBINER

FEATURES

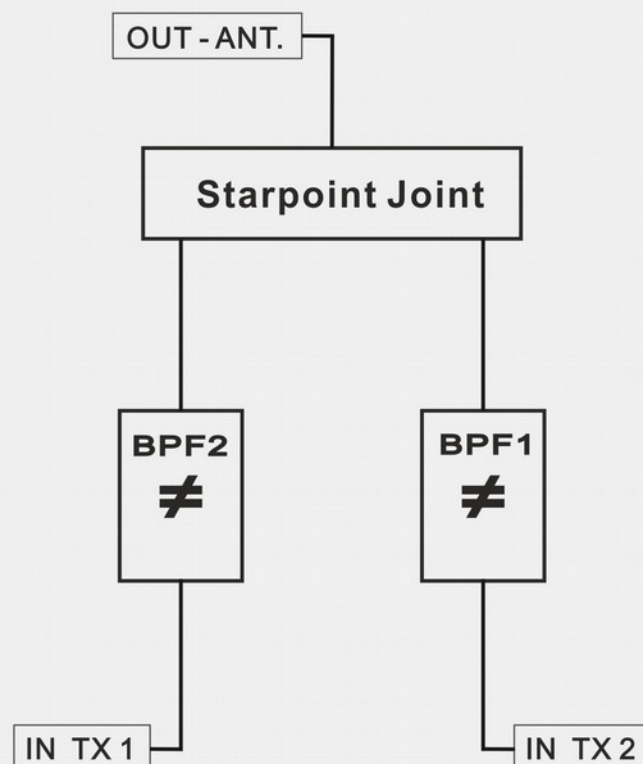
- FM STARPOINT 2 CH COMBINER
- TRIPLE CAVITY FILTERS
- CONNECTORS IN **7/8**
- CONNECTOR OUT **1+5/8**



TECHNICAL DATA

Frequency Range	87.5 - 108Mhz
In and Out Impedance	50ohm
Return Loss	≥ 26dB
Attenuation	≤ 0.5dB
Input Power *	3+3KW
Isolation	≥ 30dB
Min, Channels spacing	≥ 1.5Mhz
Working Temperature	-10 to 45°C
External Dimensions	41x60x130cm
Weight	60Kg

* at max eight above sea level of 1500mt



* To adapt our products line to the highest quality standards and at the same time in order to guarantee respect for the environment and human health, we have decided to modify the surface treatments of the aluminum components, eliminating hexavalent chromium (Alodine 1200) and passing to the new Passivation and protection process called **SurTec 650**. This treatment guarantees excellent protection of the aluminum even without using Chromium VI. This means that from now on all our aluminum products will no longer have the typical yellow-gold color as the new treatment is practically transparent and colorless.

FDT/10000S

FM STARPOINT COMBINER

FEATURES

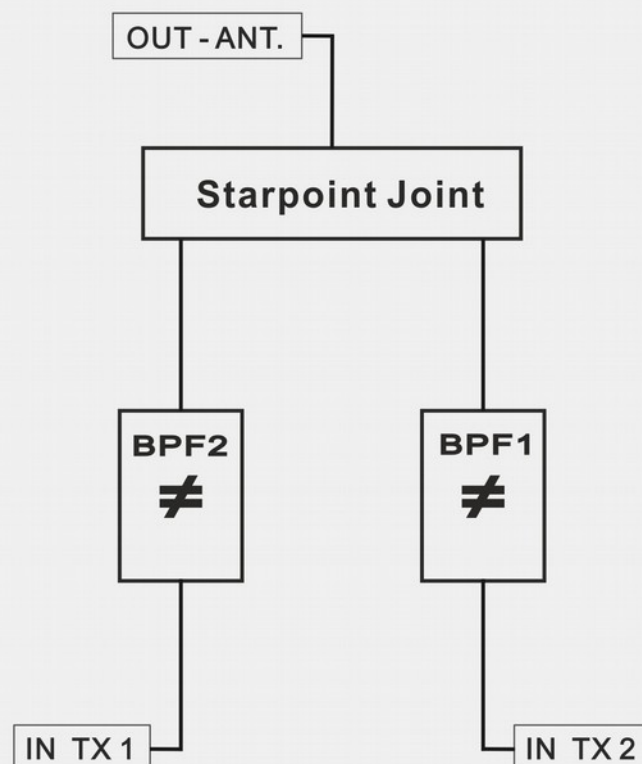
- FM STARPOINT 2 CH COMBINER
- TRIPLE CAVITY FILTERS
- CONNECTORS IN **7/8**
- CONNECTOR OUT **1+5/8**



TECHNICAL DATA

Frequency Range	87.5 - 108Mhz
In and Out Impedance	50ohm
Return Loss	≥ 26dB
Attenuation	≤ 0.4dB
Input Power *	5+5KW
Isolation	≥ 30dB
Min, Channels spacing	≥ 1.5Mhz
Working Temperature	-10 to 45°C
External Dimensions	73x70x130cm
Weight	90Kg

* at max eight above sea level of 1500mt



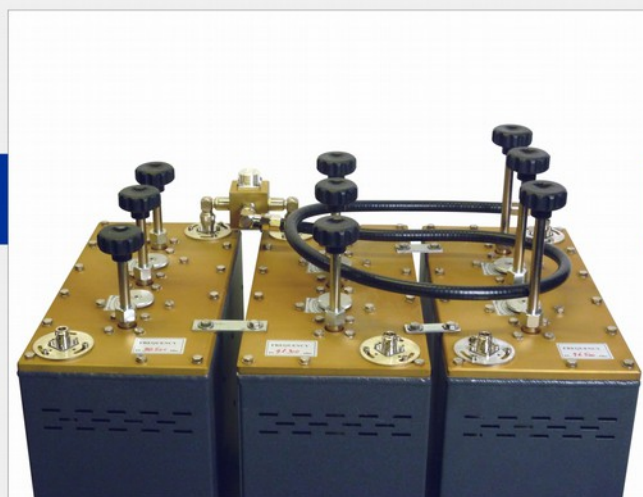
* To adapt our products line to the highest quality standards and at the same time in order to guarantee respect for the environment and human health, we have decided to modify the surface treatments of the aluminum components, eliminating hexavalent chromium (Alodine 1200) and passing to the new Passivation and protection process called **SurTec 650**. This treatment guarantees excellent protection of the aluminum even without using Chromium VI. This means that from now on all our aluminum products will no longer have the typical yellow-gold color as the new treatment is practically transparent and colorless.

FTT/3000S

FM STARPOINT COMBINER

FEATURES

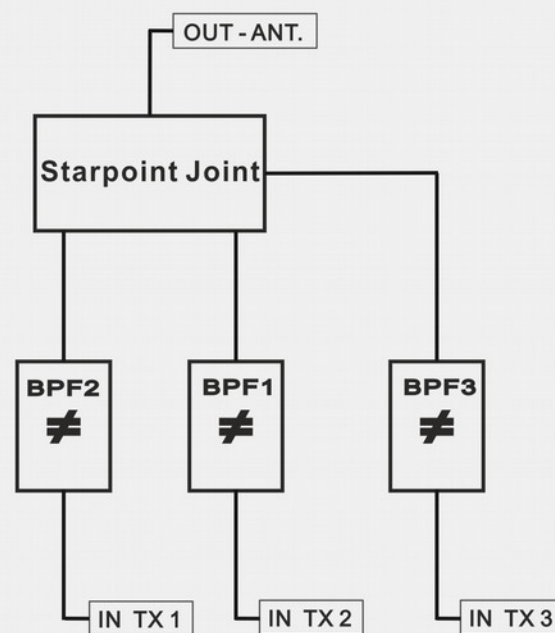
- FM STARPOINT 3 CH COMBINER
- TRIPLE CAVITY FILTERS
- CONNECTORS IN **N**
- CONNECTOR OUT **7/16**



TECHNICAL DATA

Frequency Range	87.5 - 108Mhz
In and Out Impedance	50ohm
Return Loss	≥ 26dB
Attenuation	≤ 0.6dB
Input Power *	3x500W
Isolation	≥ 30dB
Min, Channels spacing	≥ 1.5Mhz
Working Temperature	-10 to 45°C
External Dimensions	62x40x130cm
Weight	48Kg

* at max eight above sea level of 1500mt



* To adapt our products line to the highest quality standards and at the same time in order to guarantee respect for the environment and human health, we have decided to modify the surface treatments of the aluminum components, eliminating hexavalent chromium (Alodine 1200) and passing to the new Passivation and protection process called **SurTec 650**. This treatment guarantees excellent protection of the aluminum even without using Chromium VI. This means that from now on all our aluminum products will no longer have the typical yellow-gold color as the new treatment is practically transparent and colorless.

FTT/3000S-H

FM STARPOINT COMBINER

FEATURES

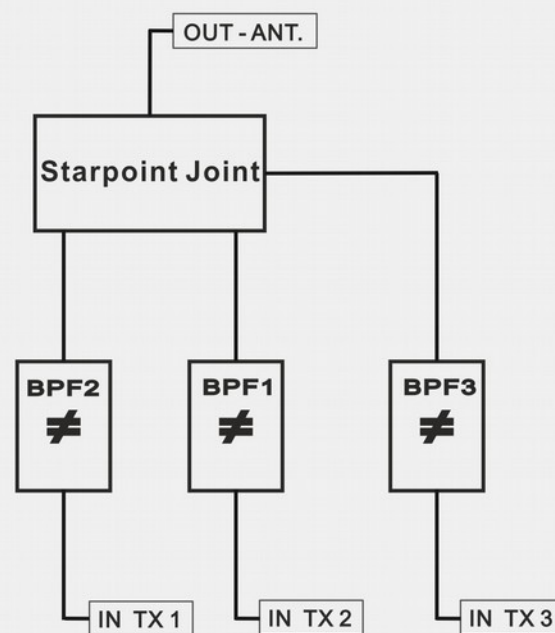
- FM STARPOINT 3 CH COMBINER
- TRIPLE CAVITY FILTERS
- CONNECTORS IN **7/16**
- CONNECTOR OUT **7/8**



TECHNICAL DATA

Frequency Range	87.5 - 108Mhz
In and Out Impedance	50ohm
Return Loss	≥ 26dB
Attenuation	≤ 0.6dB
Input Power *	3x1KW
Isolation	≥ 30dB
Min, Channels spacing	≥ 1.5Mhz
Working Temperature	-10 to 45°C
External Dimensions	62x40x130cm
Weight	48Kg

* at max eight above sea level of 1500mt



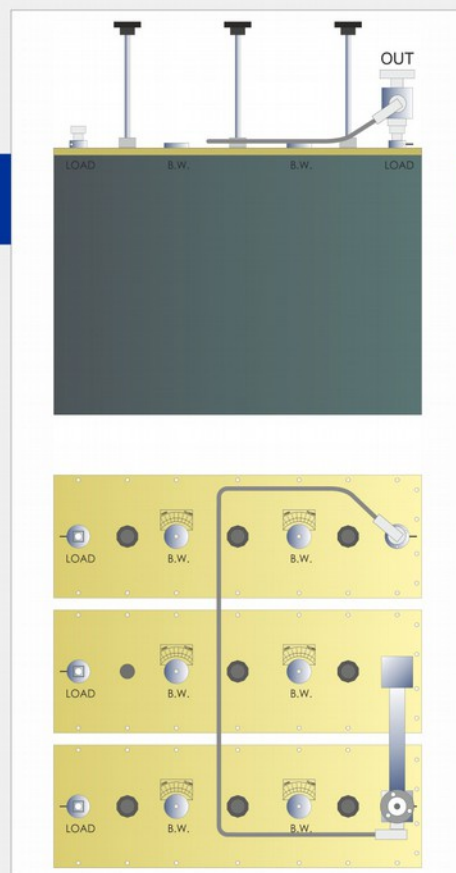
* To adapt our products line to the highest quality standards and at the same time in order to guarantee respect for the environment and human health, we have decided to modify the surface treatments of the aluminum components, eliminating hexavalent chromium (Alodine 1200) and passing to the new Passivation and protection process called **SurTec 650**. This treatment guarantees excellent protection of the aluminum even without using Chromium VI. This means that from now on all our aluminum products will no longer have the typical yellow-gold color as the new treatment is practically transparent and colorless.

FTT/4500S

FM STARPOINT COMBINER

FEATURES

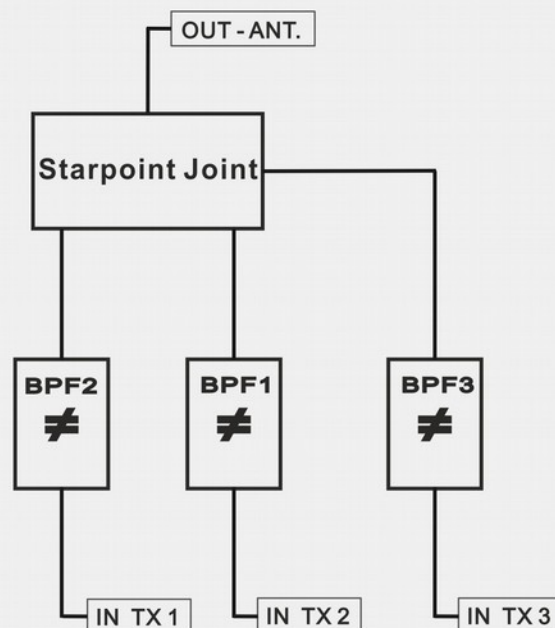
- FM STARPOINT 3 CH COMBINER
- TRIPLE CAVITY FILTERS
- CONNECTORS IN **7/16**
- CONNECTOR OUT **1+5/8**



TECHNICAL DATA

Frequency Range	87.5 - 108Mhz
In and Out Impedance	50ohm
Return Loss	≥ 26dB
Attenuation	≤ 0.5dB
Input Power *	3x1.5KW
Isolation	≥ 30dB
Min, Channels spacing	≥ 1.5Mhz
Working Temperature	-10 to 45°C
External Dimensions	62x60x130cm
Weight	82Kg

* at max eight above sea level of 1500mt



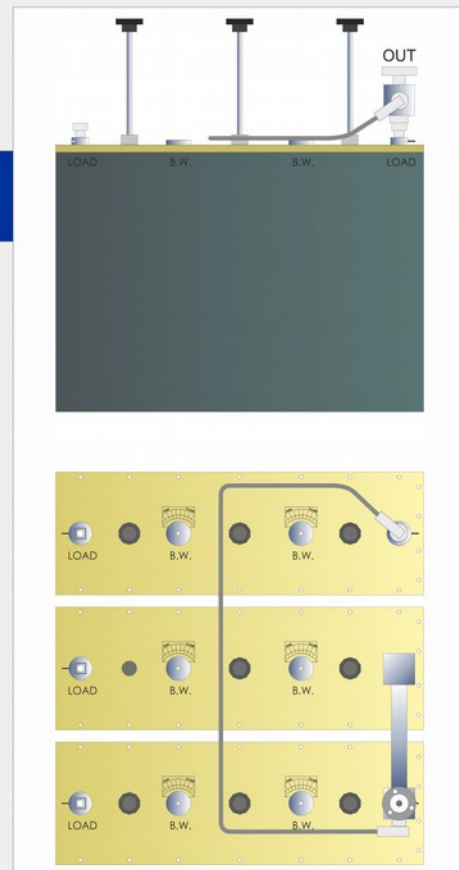
* To adapt our products line to the highest quality standards and at the same time in order to guarantee respect for the environment and human health, we have decided to modify the surface treatments of the aluminum components, eliminating hexavalent chromium (Alodine 1200) and passing to the new Passivation and protection process called **SurTec 650**. This treatment guarantees excellent protection of the aluminum even without using Chromium VI. This means that from now on all our aluminum products will no longer have the typical yellow-gold color as the new treatment is practically transparent and colorless.

FTT/6000S

FM STARPOINT COMBINER

FEATURES

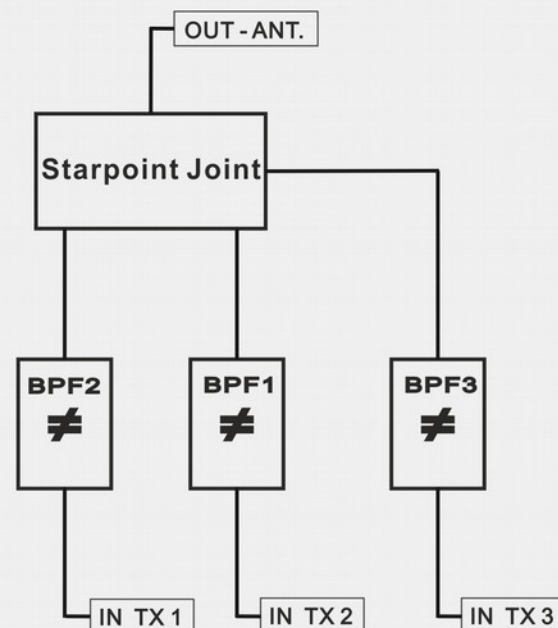
- FM STARPOINT 3 CH COMBINER
- TRIPLE CAVITY FILTERS
- CONNECTORS IN **7/16**
- CONNECTOR OUT **1+5/8**



TECHNICAL DATA

Frequency Range	87.5 - 108Mhz
In and Out Impedance	50ohm
Return Loss	≥ 26dB
Attenuation	≤ 0.5dB
Input Power *	3x2KW
Isolation	≥ 30dB
Min, Channels spacing	≥ 1.5Mhz
Working Temperature	-10 to 45°C
External Dimensions	62x60x130cm
Weight	84Kg

* at max eight above sea level of 1500mt



* To adapt our products line to the highest quality standards and at the same time in order to guarantee respect for the environment and human health, we have decided to modify the surface treatments of the aluminum components, eliminating hexavalent chromium (Alodine 1200) and passing to the new Passivation and protection process called **SurTec 650**. This treatment guarantees excellent protection of the aluminum even without using Chromium VI. This means that from now on all our aluminum products will no longer have the typical yellow-gold color as the new treatment is practically transparent and colorless.

FTT/7500S

FM STARPOINT COMBINER

FEATURES

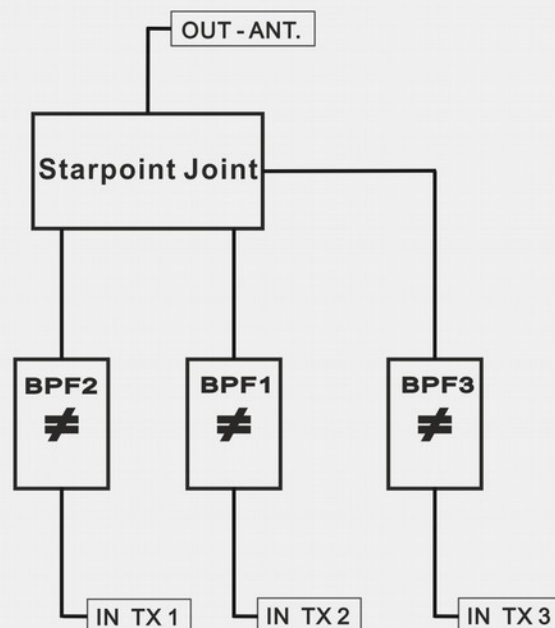
- FM STARPOINT 3 CH COMBINER
- TRIPLE CAVITY FILTERS
- CONNECTORS IN **7/8**
- CONNECTOR OUT **1+5/8**



TECHNICAL DATA

Frequency Range	87.5 - 108Mhz
In and Out Impedance	50ohm
Return Loss	≥ 26dB
Attenuation	≤ 0.5dB
Input Power *	3x2.5KW
Isolation	≥ 30dB
Min, Channels spacing	≥ 1.5Mhz
Working Temperature	-10 to 45°C
External Dimensions	62x60x130cm
Weight	84Kg

* at max eight above sea level of 1500mt



* To adapt our products line to the highest quality standards and at the same time in order to guarantee respect for the environment and human health, we have decided to modify the surface treatments of the aluminum components, eliminating hexavalent chromium (Alodine 1200) and passing to the new Passivation and protection process called **SurTec 650**. This treatment guarantees excellent protection of the aluminum even without using Chromium VI. This means that from now on all our aluminum products will no longer have the typical yellow-gold color as the new treatment is practically transparent and colorless.

FQT/4000S

FM STARPOINT COMBINER

FEATURES

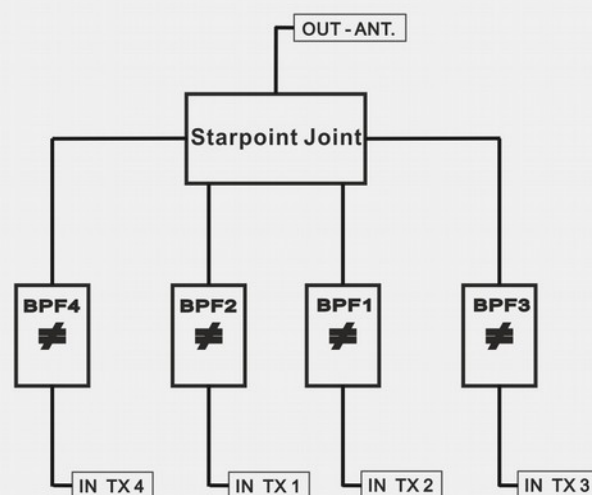
- FM STARPOINT 4 CH COMBINER
- TRIPLE CAVITY FILTERS
- CONNECTORS IN **N**
- CONNECTOR OUT **7/8**



TECHNICAL DATA

Frequency Range	87.5 - 108Mhz
In and Out Impedance	50ohm
Return Loss	≥ 26dB
Attenuation	≤ 0.6dB
Input Power *	4x500W
Isolation	≥ 30dB
Min, Channels spacing	≥ 1.5Mhz
Working Temperature	-10 to 45°C
External Dimensions	81x45x115cm
Weight	65Kg

* at max eight above sea level of 1500mt



* To adapt our products line to the highest quality standards and at the same time in order to guarantee respect for the environment and human health, we have decided to modify the surface treatments of the aluminum components, eliminating hexavalent chromium (Alodine 1200) and passing to the new Passivation and protection process called **SurTec 650**. This treatment guarantees excellent protection of the aluminum even without using Chromium VI. This means that from now on all our aluminum products will no longer have the typical yellow-gold color as the new treatment is practically transparent and colorless.

FQT/4000S-H

FM STARPOINT COMBINER

FEATURES

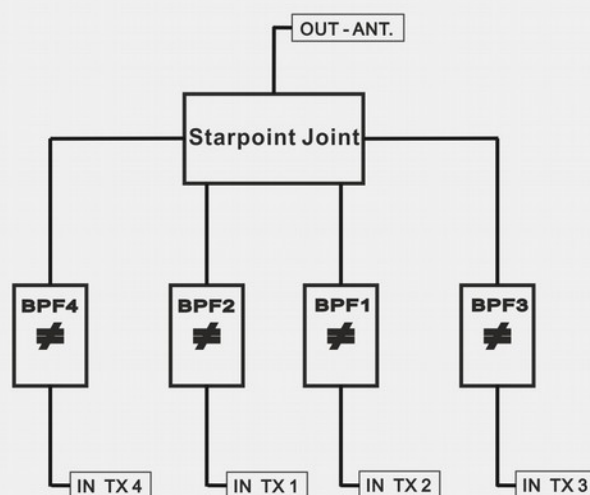
- FM STARPOINT 4 CH COMBINER
- TRIPLE CAVITY FILTERS
- CONNECTORS IN 7/16
- CONNECTOR OUT 1+5/8



TECHNICAL DATA

Frequency Range	87.5 - 108Mhz
In and Out Impedance	50ohm
Return Loss	≥ 26dB
Attenuation	≤ 0.6dB
Input Power *	4x1KW
Isolation	≥ 30dB
Min, Channels spacing	≥ 1.5Mhz
Working Temperature	-10 to 45°C
External Dimensions	81x45x115cm
Weight	66Kg

* at max eight above sea level of 1500mt



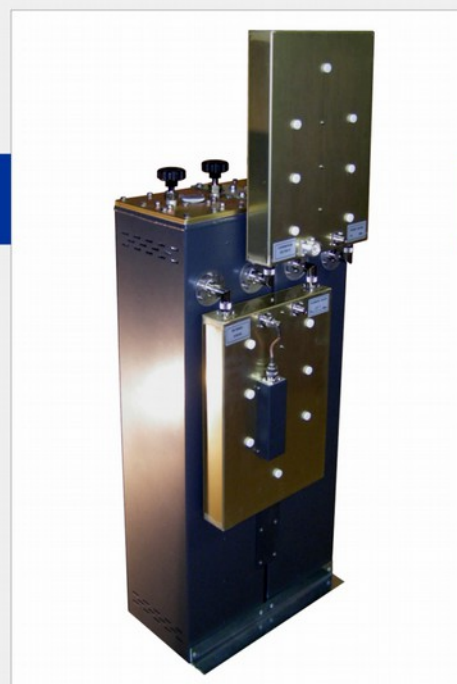
* To adapt our products line to the highest quality standards and at the same time in order to guarantee respect for the environment and human health, we have decided to modify the surface treatments of the aluminum components, eliminating hexavalent chromium (Alodine 1200) and passing to the new Passivation and protection process called **SurTec 650**. This treatment guarantees excellent protection of the aluminum even without using Chromium VI. This means that from now on all our aluminum products will no longer have the typical yellow-gold color as the new treatment is practically transparent and colorless.

FDB/2000

FM DOUBLE BRIDGE COMBINER

FEATURES

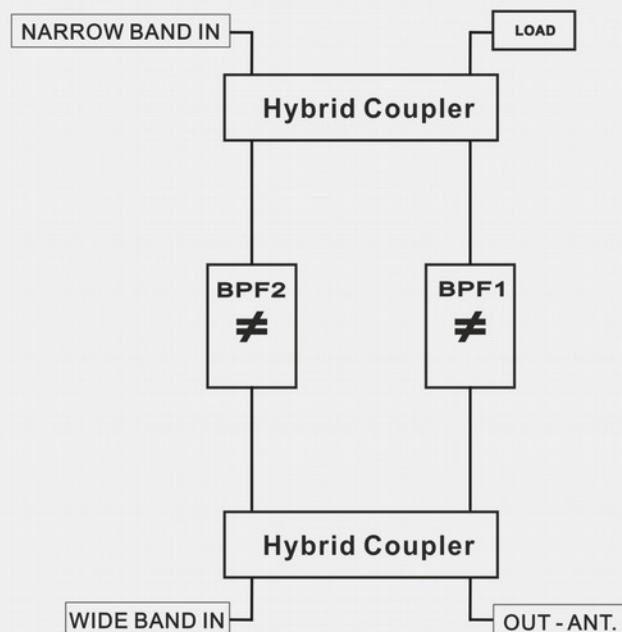
- FM DOUBLE BRIDGE 2 CH COMBINER
- DOUBLE CAVITY FILTERS
- ONE PORT WIDE BAND, CONN. IN. **N**
- ONE PORT TUNED, CONN. IN **N**
- CONNECTOR OUT **7/16**



TECHNICAL DATA

Frequency Range	87.5 - 108Mhz
In and Out Impedance	50ohm
Return Loss	≥ 26dB
Attenuation N.B. port	≤ 0.6dB
Attenuation W.B. port	≤ 0.2dB
N.B Power *	800W
W.B. Power *	800W
Isolation	≥ 30dB
Min, Channels spacing	≥ 2.5Mhz
Working Temperature	-10 to 45°C
External Dimensions	41x30x117cm
Weight	25Kg

* at max eight above sea level of 1500mt



* To adapt our products line to the highest quality standards and at the same time in order to guarantee respect for the environment and human health, we have decided to modify the surface treatments of the aluminum components, eliminating hexavalent chromium (Alodine 1200) and passing to the new Passivation and protection process called **SurTec 650**. This treatment guarantees excellent protection of the aluminum even without using Chromium VI. This means that from now on all our aluminum products will no longer have the typical yellow-gold color as the new treatment is practically transparent and colorless.

FDB/3000

FM DOUBLE BRIDGE COMBINER

FEATURES

- FM DOUBLE BRIDGE 2 CH COMBINER
- DOUBLE CAVITY FILTERS
- ONE PORT WIDE BAND, CONN. IN **7/16**
- ONE PORT TUNED, CONN. IN **N**
- CONNECTOR OUT **7/8**

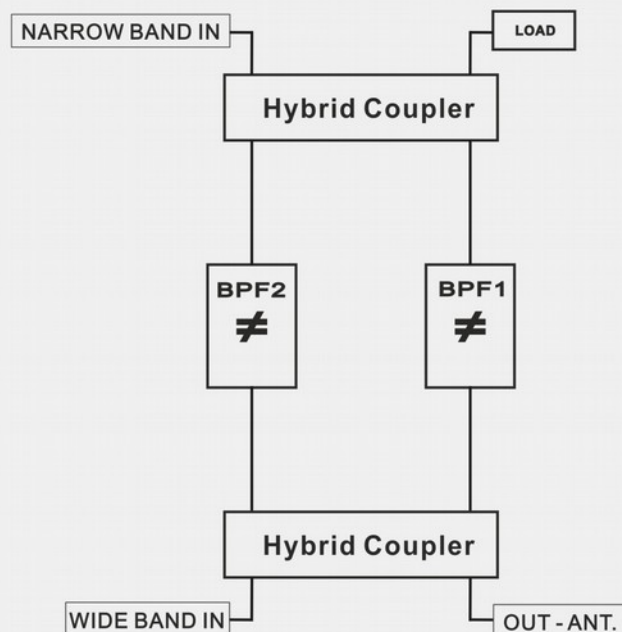


TECHNICAL DATA

Frequency Range	87.5 - 108Mhz
In and Out Impedance	50ohm
Return Loss	≥ 26dB
Attenuation N.B. port	≤ 0.6dB
Attenuation W.B. port	≤ 0.2dB
N.B Power *	800W
W.B. Power *	2KW
Isolation	≥ 30dB
Min, Channels spacing	≥ 2.5Mhz
Working Temperature	-10 to 45°C
External Dimensions	41x30x117cm
Weight	26Kg

* at max eight above sea level of 1500mt

* To adapt our products line to the highest quality standards and at the same time in order to guarantee respect for the environment and human health, we have decided to modify the surface treatments of the aluminum components, eliminating hexavalent chromium (Alodine 1200) and passing to the new Passivation and protection process called **SurTec 650**. This treatment guarantees excellent protection of the aluminum even without using Chromium VI. This means that from now on all our aluminum products will no longer have the typical yellow-gold color as the new treatment is practically transparent and colorless.



FDB/4000

FM DOUBLE BRIDGE COMBINER

FEATURES

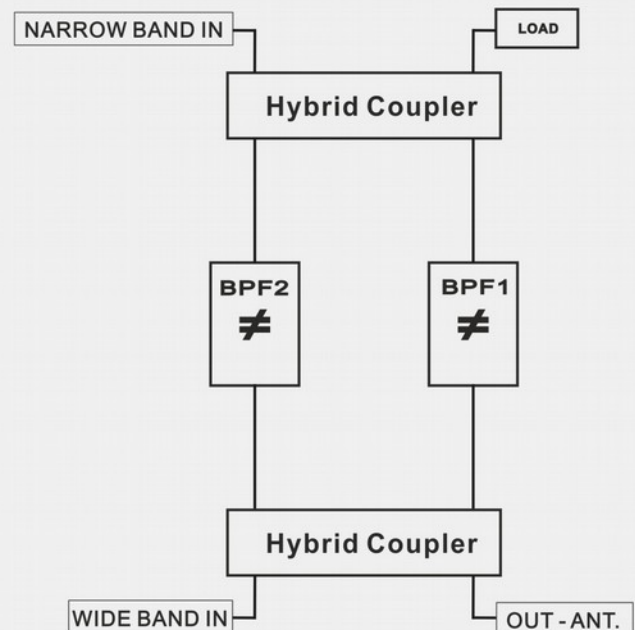
- FM DOUBLE BRIDGE 2 CH COMBINER
- DOUBLE CAVITY FILTERS
- ONE PORT WIDE BAND, CONN. IN 7/16
- ONE PORT TUNED, CONN. IN 7/16
- CONNECTOR OUT 7/8



TECHNICAL DATA

Frequency Range	87.5 - 108Mhz
In and Out Impedance	50ohm
Return Loss	≥ 26dB
Attenuation N.B. port	≤ 0.5dB
Attenuation W.B. port	≤ 0.2dB
N.B Power *	2KW
W.B. Power *	2KW
Isolation	≥ 30dB
Min, Channels spacing	≥ 2.5Mhz
Working Temperature	-10 to 45°C
External Dimensions	46x42x146cm
Weight	47Kg

* at max eight above sea level of 1500mt



* To adapt our products line to the highest quality standards and at the same time in order to guarantee respect for the environment and human health, we have decided to modify the surface treatments of the aluminum components, eliminating hexavalent chromium (Alodine 1200) and passing to the new Passivation and protection process called **SurTec 650**. This treatment guarantees excellent protection of the aluminum even without using Chromium VI. This means that from now on all our aluminum products will no longer have the typical yellow-gold color as the new treatment is practically transparent and colorless.

FDB/8000

FM DOUBLE BRIDGE COMBINER

FEATURES

- FM DOUBLE BRIDGE 2 CH COMBINER
- DOUBLE CAVITY FILTERS
- ONE PORT WIDE BAND, CONN. IN 7/8
- ONE PORT TUNED, CONN. IN 7/8
- CONNECTOR OUT 1+5/8

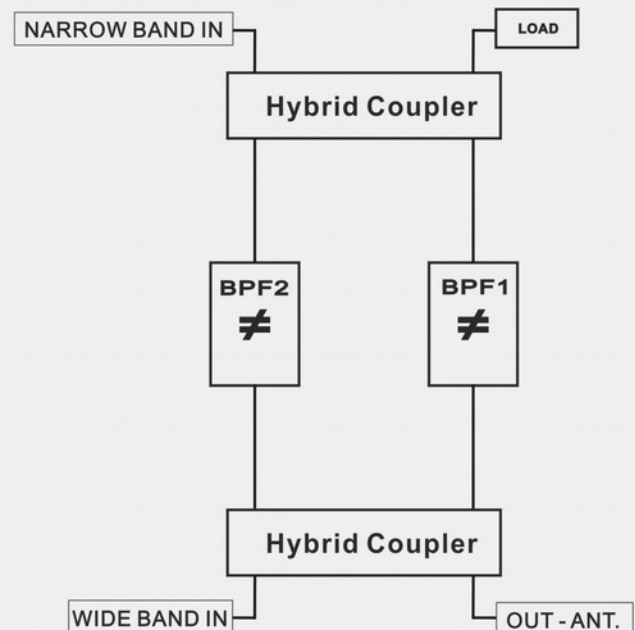


TECHNICAL DATA

Frequency Range	87.5 - 108Mhz
In and Out Impedance	50ohm
Return Loss	≥ 26dB
Attenuation N.B. port	≤ 0.5dB
Attenuation W.B. port	≤ 0.2dB
N.B Power *	4KW
W.B. Power *	4KW
Isolation	≥ 30dB
Min, Channels spacing	≥ 2.5Mhz
Working Temperature	-10 to 45°C
External Dimensions	46x42x146cm
Weight	47Kg

* at max eight above sea level of 1500mt

* To adapt our products line to the highest quality standards and at the same time in order to guarantee respect for the environment and human health, we have decided to modify the surface treatments of the aluminum components, eliminating hexavalent chromium (Alodine 1200) and passing to the new Passivation and protection process called **SurTec 650**. This treatment guarantees excellent protection of the aluminum even without using Chromium VI. This means that from now on all our aluminum products will no longer have the typical yellow-gold color as the new treatment is practically transparent and colorless.



FDT/3000

FM DOUBLE BRIDGE COMBINER

FEATURES

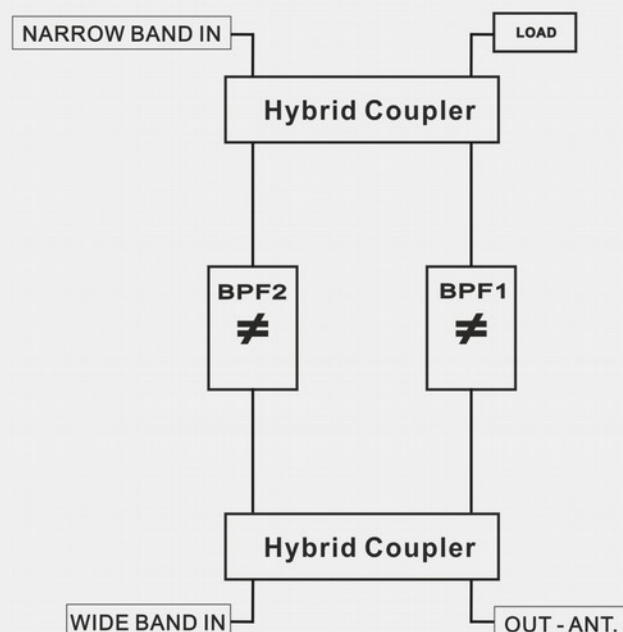
- FM DOUBLE BRIDGE 2 CH COMBINER
- TRIPLE CAVITY FILTERS
- ONE PORT WIDE BAND, CONN. IN **7/16**
- ONE PORT TUNED, CONN. IN **N**
- CONNECTOR OUT **7/8**



TECHNICAL DATA

Frequency Range	87.5 - 108Mhz
In and Out Impedance	50ohm
Return Loss	≥ 26dB
Attenuation N.B. port	≤ 0.6dB
Attenuation W.B. port	≤ 0.2dB
N.B Power *	800W
W.B. Power *	2KW
Isolation	≥ 30dB
Min, Channels spacing	≥ 1.5Mhz
Working Temperature	-10 to 45°C
External Dimensions	46x42x146cm
Weight	47Kg

* at max eight above sea level of 1500mt



* To adapt our products line to the highest quality standards and at the same time in order to guarantee respect for the environment and human health, we have decided to modify the surface treatments of the aluminum components, eliminating hexavalent chromium (Alodine 1200) and passing to the new Passivation and protection process called **SurTec 650**. This treatment guarantees excellent protection of the aluminum even without using Chromium VI. This means that from now on all our aluminum products will no longer have the typical yellow-gold color as the new treatment is practically transparent and colorless.

FDT/4000

FM DOUBLE BRIDGE COMBINER

FEATURES

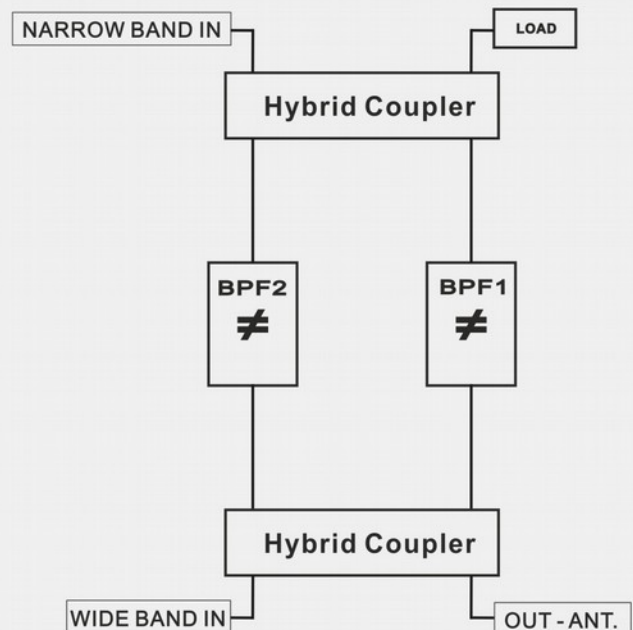
- FM DOUBLE BRIDGE 2 CH COMBINER
- TRIPLE CAVITY FILTERS
- ONE PORT WIDE BAND, CONN. IN 7/16
- ONE PORT TUNED, CONN. IN 7/16
- CONNECTOR OUT 7/8



TECHNICAL DATA

Frequency Range	87.5 - 108Mhz
In and Out Impedance	50ohm
Return Loss	≥ 26dB
Attenuation N.B. port	≤ 0.6dB
Attenuation W.B. port	≤ 0.2dB
N.B Power *	2KW
W.B. Power *	2KW
Isolation	≥ 30dB
Min, Channels spacing	≥ 1.5Mhz
Working Temperature	-10 to 45°C
External Dimensions	46x42x146cm
Weight	49Kg

* at max eight above sea level of 1500mt



* To adapt our products line to the highest quality standards and at the same time in order to guarantee respect for the environment and human health, we have decided to modify the surface treatments of the aluminum components, eliminating hexavalent chromium (Alodine 1200) and passing to the new Passivation and protection process called **SurTec 650**. This treatment guarantees excellent protection of the aluminum even without using Chromium VI. This means that from now on all our aluminum products will no longer have the typical yellow-gold color as the new treatment is practically transparent and colorless.

FDT/8000

FM DOUBLE BRIDGE COMBINER

FEATURES

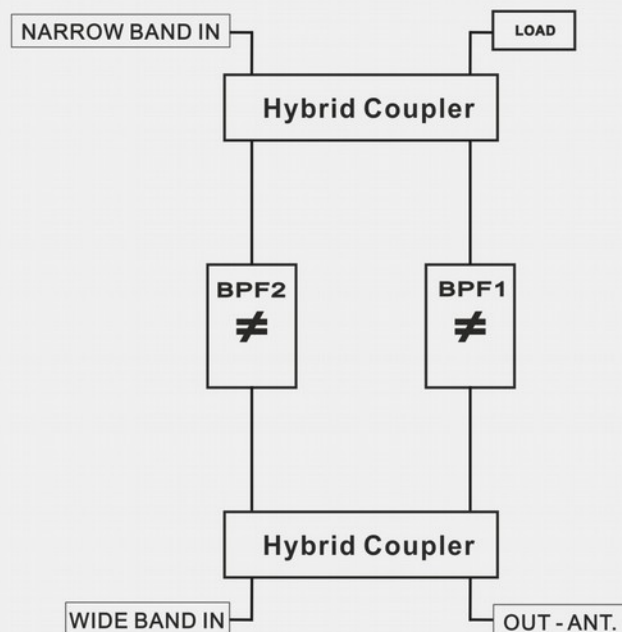
- FM DOUBLE BRIDGE 2 CH COMBINER
- TRIPLE CAVITY FILTERS
- ONE PORT WIDE BAND, CONN. IN 7/8
- ONE PORT TUNED, CONN. IN 7/8
- CONNECTOR OUT 1+5/8



TECHNICAL DATA

Frequency Range	87.5 - 108Mhz
In and Out Impedance	50ohm
Return Loss	≥ 26dB
Attenuation N.B. port	≤ 0.5dB
Attenuation W.B. port	≤ 0.2dB
N.B Power *	4KW
W.B. Power *	4KW
Isolation	≥ 30dB
Min, Channels spacing	≥ 1.5Mhz
Working Temperature	-10 to 45°C
External Dimensions	68x42x146cm
Weight	70Kg

* at max eight above sea level of 1500mt



* To adapt our products line to the highest quality standards and at the same time in order to guarantee respect for the environment and human health, we have decided to modify the surface treatments of the aluminum components, eliminating hexavalent chromium (Alodine 1200) and passing to the new Passivation and protection process called **SurTec 650**. This treatment guarantees excellent protection of the aluminum even without using Chromium VI. This means that from now on all our aluminum products will no longer have the typical yellow-gold color as the new treatment is practically transparent and colorless.